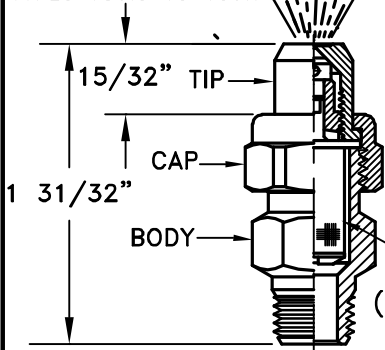
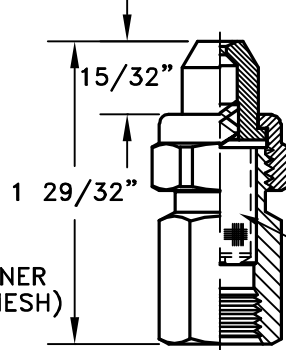


FULLCONE
SPRAY PATTERN

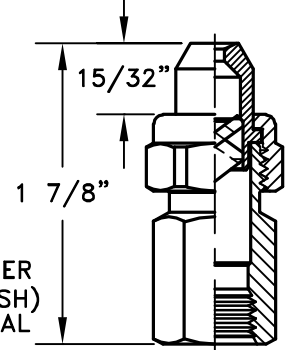
TYPES TG0.3 TO TG0.7



TYPES TG1 TO TG5



TYPES TG6.5 & TG10



NOZZLE NO.		ORIFICE DIA.	CAPACITY G.P.M. (Gallons Per Minute) AND SPRAY ANGLE AT P.S.I. (Lbs. Per Square Inch)												
FEMALE CONN.	MALE CONN.		10	15	20	30	40	60	80	100	150	200	300	400	500
1/4TG 0.3	1/4TTG 0.3	.020"			.042 50°	.52	.060 58°	.073	.085	.095 61°	.12	.13	.16	.19	.21
1/4TG 0.4	1/4TTG 0.4	.022"			.057 56°	.069	.080 60°	.098	.11	.13 63°	.16	.18	.22	.25	.28
1/4TG 0.5	1/4TTG 0.5	.024"		.061 52°	.071 56°	.087	.10 60°	.12	.14	.16 63°	.19	.22	.27	.32	.35
1/4TG 0.6	1/4TTG 0.6	.027"		.074 49°	.085 54°	.10	.12 59°	.15	.17	.19 62°	.23	.27	.33	.38	.42
1/4TG 0.7	1/4TTG 0.7	.030"		.86 49°	.10 54°	.12	.14 60°	.17	.20	.22 63°	.27	.31	.38	.44	.50
1/4TG 1	1/4TTG 1	.037"	.10 54°	.12 57°	.14 58°	.17	.19	.23	.26	.30 53°	.36	.40	.48	.55	.61
1/4TG 2	1/4TTG 2	.047"	.20 46°	.24 49°	.28 50°	.34	.38	.46	.53	.59 46°	.77	.79	.96	1.1	1.2
1/4TG 3	1/4TTG 3	.062"	.30 57°	.36 62°	.42 65°	.50	.57	.69	.79	.88 59°	1.1	1.2	1.4	1.6	1.8
1/4TG 3.5	1/4TTG 3.5	.067"	.35 46°	.42 49°	.48 50°	.58	.67	.81	.92	1.0 46°	1.3	1.4	1.7	1.9	2.1
1/4TG 5	1/4TTG 5	.082"	.50 57°	.60 62°	.69 65°	.82	.95	1.2	1.3	1.5 59°	1.8	2.0	2.4	2.7	3.0
1/4TG 6.5	1/4TTG 6.5	3/32"	.65 46°	.78 49°	.89 50°	1.1	1.3	1.5	1.7	1.9 46°	2.3	2.6	3.1	3.5	3.9
1/4TG 10	1/4TTG 10	1/8"	1.0 62°	1.3 66°	1.4 67°	1.7	1.9	2.4	2.7	3.0 61°	3.6	4.0	4.8	5.5	6.1

DESCRIPTION:
TYPE 1/4 TG - & 1/4 TTTG -
FULLCONE TEEJET NOZZLES



Spraying Systems Co.®
Spray Nozzles and Accessories
P.O. Box 7900 - Wheaton, IL 60189-7900

Rev. No.
Ref.

Data Sheet No.
4517
SHEET OF