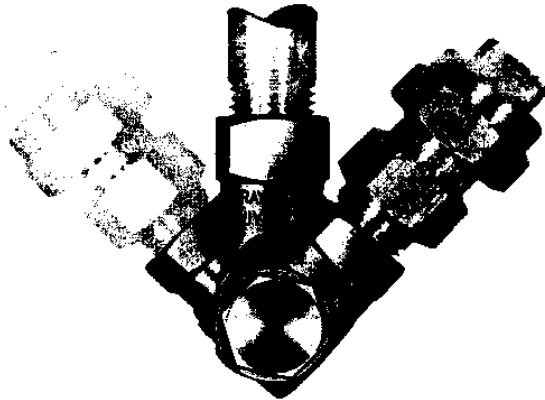
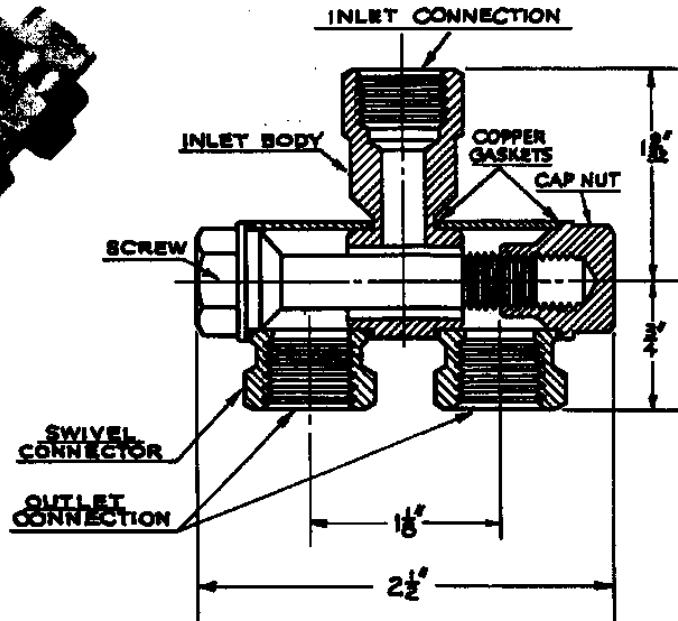


WHEN DROP PIPES ARE ATTACHED TO A BOOM, TO CONVERT IT TO ROW CROP SPRAYING, THE DISPLACED NOZZLE IS SIMPLY MOUNTED INTO ONE OF THE OUTLET CONNECTIONS OF THE DOUBLE SWIVEL CONNECTOR. THIS MEANS THAT THE USER NEED PURCHASE ONLY ONE EXTRA NOZZLE FOR EACH CONNECTOR USED AND THEREBY MAKE A CONSIDERABLE SAVING.



EACH NOZZLE CAN BE SET INDEPENDENTLY IN AN ARC OF 280°.



NET WEIGHT - 6 OZ.

PART NO.	INLET CONNECTION	OUTLET CONNECTION
4203A-2-1/4 x 1/4	1/4" N.P.T.	2-1/8" N.P.T.
4203B-2-1/4 x 1/4	1/4" N.P.T.	2-1/4" N.P.T.
4203C-2-1/2 x 1/4	1/8" N.P.T.	2-1/4" N.P.T.
4203D-2-1/2 x 1/4	1/8" N.P.T.	2-1/8" N.P.T.

DESCRIPTION:
TYPE 4203
DOUBLE SWIVEL CONNECTOR



Spraying Systems Co.[®]

Spray Nozzles and Accessories
P.O. Box 7900 - Wheaton, Il. 60189-7900

Rev. No.

Data Sheet No.

4203

Ref.

SHEET OF