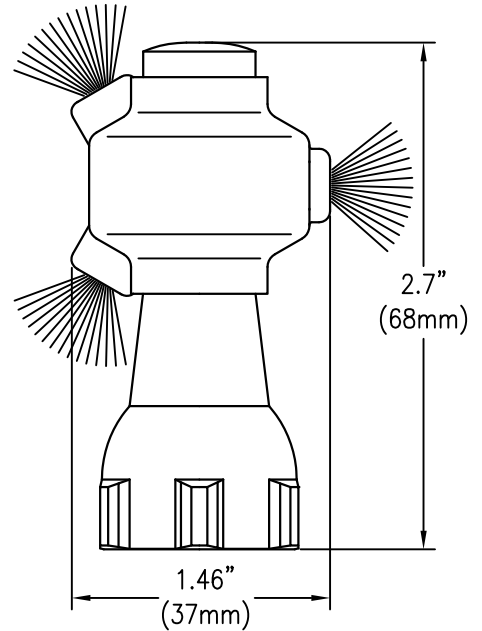


UniRokon Rotating Tank Rinsing Nozzle

FEATURES:

- ROTATING HEAD DRIVEN BY THE FLOW OF THE RINSING LIQUID THROUGH THREE FLAT SPRAY NOZZLES
- SIGNIFICANTLY LOWER ROTATING SPEED, APPROXIMATELY 15% OF TYPICAL SPEED, RESULTS IN FASTER AND MORE THOROUGH CLEANING OF TANK SURFACE
- USES APPROXIMATELY 20% LESS FLOW, AT A GIVEN PRESSURE, THAN PRIOR (D25468) VERSION.
- ROTATING HEAD CAN BE INSTALLED EITHER UP OR DOWN
- SPRAY ANGLE: 360°
- SELF/CLEANING SLIDING BEARING
- MATERIALS: BODY – POM (ACTETAL)
ORIFICE INSERTS – POM (ACETAL)
- MAX. OPERATING PRESSURE: 115 PSI (8 bar)
- MAX. OPERATING TEMPERATURE: 160°F (70°C) AT 115 PSI (8 bar)
- RECOMMENDED OPERATING PRESSURE: 30–60 PSI (2–4 bar)
- FOR TANK DIAMETERS UP TO 6.5 FT. (2.0 m)
- PIPE CONNECTIONS: 1/2”NPT (F); 1/2”BSPT (F); 3/8”NPT (F); 3/8”BSPT (F)
CIP CONNECTION (AVAILABLE UPON REQUEST)
- ATEX CERTIFICATION: AVAILABLE UPON REQUEST
- COMMON APPLICATIONS: INSIDE RINSING OF CHEMICAL CONTAINERS/SPRAY TANKS
- HOW TO ORDER: D41892-B1/2-POM-6
FOR BSPT VERSION PIPE CONNECTION SIZE



NOZZLE No.	CAPACITY – GPM						CAPACITY – L/min					
	20 PSI	30 PSI	40 PSI	50 PSI	60 PSI	70 PSI	1.5 bar	2.0 bar	2.5 bar	3.0 bar	4.0 bar	5.0 bar
D41892-__3/8-POM-6	4.0	4.9	5.7	6.4	7.0	7.5	15.9	18.3	20.5	22.5	26.0	29.0
D41892-__1/2-POM-6												

DESCRIPTION:

**D41892-____-POM-6
UNIROKON ROTARY
TANK RINSING NOZZLE**



Spraying Systems Co.®

Spray Nozzles and Accessories
P.O. Box 7900 – Wheaton, Il. 60189-7900

Rev. No. 1

Ref.

DATA SHEET

41892

SHEET OF