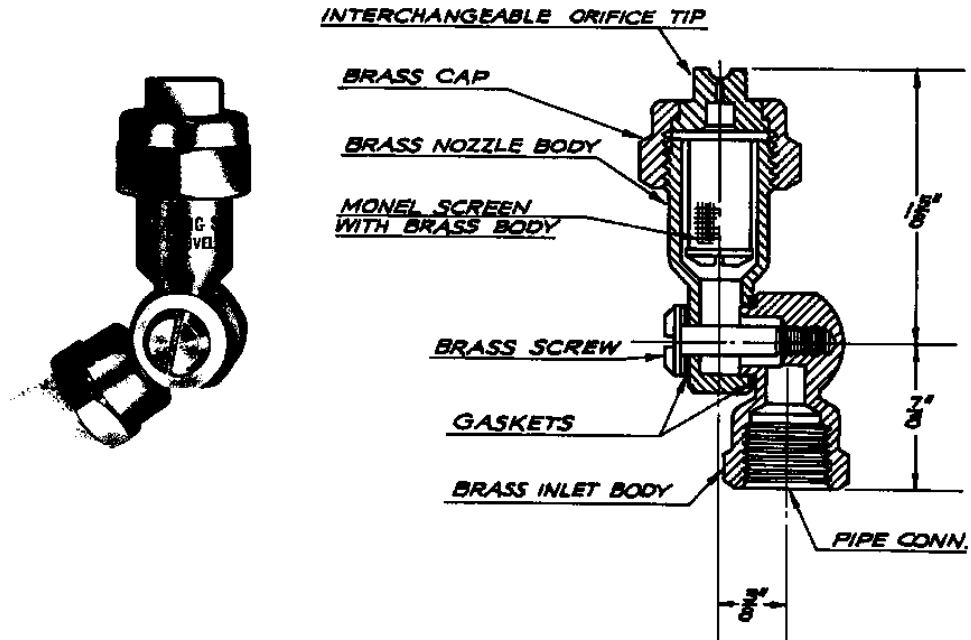


THIS NOZZLE IS DESIGNED FOR USE ON THE END OF AN APPLICATOR PIPE. THE SWIVEL FEATURE PERMITS ADJUSTMENT THROUGH 240° WITHOUT USE OF TOOLS. NOZZLE IS HELD IN POSITION BY FRICTION.



NOZZLE NO.	PIPE CONN.
4183A-1/8T—	1/8"
4183A-1/4T—	1/4"

THESE NOZZLES CAN BE SUPPLIED IN THE SAME CAPACITIES AND SPRAY ANGLES AS THE 1/4T — TEEJET NOZZLES SHOWN ON DWGS. 2851, 2882 AND 4283.

NET WEIGHT 3/4 OZ.

**DESCRIPTION:**

4183A 1/8T-- & 4183A 1/4T--  
SWIVEL TEEJET NOZZLES



**Spraying Systems Co.®**

Spray Nozzles and Accessories  
P.O. Box 7900 - Wheaton, Il. 60189-7900

Rev. No.

Data Sheet No.

**4183A**

Ref.

SHEET OF