

NOZZLE NO.	BODY NO.	CAP NO.	PIPE CONN.	ORIFICE	CAPACITY G.P.M. (Gallons Per Minute)													
					[SPRAY ANGLE AT p.s.i. (Lbs. per square inch)													
					3	5	7	10	15	20	30	40	60	80	100			
3/8 A5	A5	5	3/8 FEMALE	1/8						42	50	61	71	86	100	122	142	158
3/8 B5	B5	5	3/8 MALE	1/8						64	69	71	73	76	79	80		
3/8 A5-8	A5	8	3/8 FEMALE	3/32						39	46	55	68	79	95	110	135	174
3/8 B5-8	B5	8	3/8 MALE	3/32						67	73	79	80	81	83	84	86	86
3/8 A5-10	A5	10	3/8 FEMALE	1/4						46	54	65	80	92	112	130	159	184
3/8 B5-10	B5	10	3/8 MALE	1/4						73	78	84	85	86	87	87	89	90
3/8 A5-15	A5	15	3/8 FEMALE	5/16						54	64	77	94	109	133	154	189	218
3/8 B5-15	B5	15	3/8 MALE	5/16						77	83	91	92	93	95	96	98	97
3/8 A5-20	A5	20	3/8 FEMALE	3/8	45	58	68	82	100	115	141	163	200	231	258			
3/8 B5-20	B5	20	3/8 MALE	3/8	65	80	87	89	97	100	102	102	102	102	102			
3/8 A5-25	A5	25	3/8 FEMALE	1/2	60	83	75	90	110	127	155	179	218	253	282			
3/8 B5-25	B5	25	3/8 MALE	1/2	67	83	90	96	101	103	104	104	104	104	104			

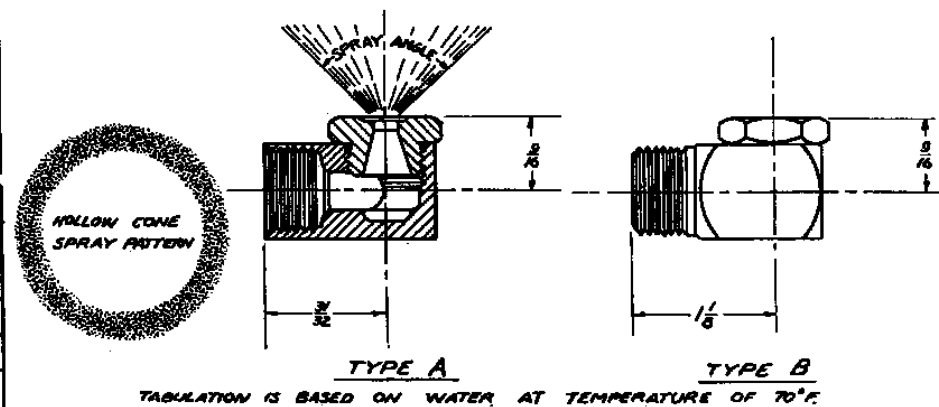
3/8 A8-5	A8	5	3/8 FEMALE	1/8						60	73	85	104	120	147	170	190
3/8 B8-5	B8	5	3/8 MALE	1/8						61	63	64	66	67	67	68	68
3/8 A8-8	A8	8	3/8 FEMALE	3/32						57	67	80	98	113	139	166	226
3/8 B8-8	B8	8	3/8 MALE	3/32						59	62	66	68	70	72	73	74
3/8 A8-10	A8	10	3/8 FEMALE	1/4						64	75	90	110	127	155	180	220
3/8 B8-10	B8	10	3/8 MALE	1/4						64	67	72	73	75	76	80	81
3/8 A8-15	A8	15	3/8 FEMALE	5/16						78	92	110	135	155	191	220	270
3/8 B8-15	B8	15	3/8 MALE	5/16						75	80	83	84	85	86	87	88
3/8 A8-20	A8	20	3/8 FEMALE	3/8	64	83	98	118	144	166	204	235	288	322	371		
3/8 B8-20	B8	20	3/8 MALE	3/8	64	76	80	84	88	89	91	92	92	92	92		
3/8 A8-25	A8	25	3/8 FEMALE	1/2	71	92	109	131	160	185	226	261	320	369	413		
3/8 B8-25	B8	25	3/8 MALE	1/2	66	78	84	88	91	93	95	95	95	95	95		

3/8 A10-5	A10	5	3/8 FEMALE	1/8						70	85	98	120	139	170	197	220
3/8 B10-5	B10	5	3/8 MALE	1/8						52	58	64	62	63	64	65	65
3/8 A10-8	A10	8	3/8 FEMALE	3/32						72	86	103	128	149	172	211	243
3/8 B10-8	B10	8	3/8 MALE	3/32						60	64	67	68	69	70	71	72
3/8 A10-10	A10	10	3/8 FEMALE	1/4						84	100	122	142	173	200	245	283
3/8 B10-10	B10	10	3/8 MALE	1/4						64	66	70	72	73	73	74	75
3/8 A10-15	A10	15	3/8 FEMALE	5/16						86	101	121	140	171	210	242	296
3/8 B10-15	B10	15	3/8 MALE	5/16						67	71	75	77	79	81	82	83
3/8 A10-20	A10	20	3/8 FEMALE	3/8						97	114	137	168	193	236	273	334
3/8 B10-20	B10	20	3/8 MALE	3/8						68	72	75	79	82	84	85	87
3/8 A10-25	A10	25	3/8 FEMALE	1/2						106	125	150	184	212	259	300	367
3/8 B10-25	B10	25	3/8 MALE	1/2						74	78	82	86	88	90	91	92

3/8 A15-5	A15	5	3/8 FEMALE	1/8						81	99	114	140	162	197	229	256
3/8 B15-5	B15	5	3/8 MALE	1/8						45	51	55	59	60	60	61	61
3/8 A15-8	A15	8	3/8 FEMALE	3/32						51	69	84	104	129	161	207	244
3/8 B15-8	B15	8	3/8 MALE	3/32						53	56	59	61	63	64	65	67
3/8 A15-10	A15	10	3/8 FEMALE	1/4						56	76	91	111	131	161	207	244
3/8 B15-10	B15	10	3/8 MALE	1/4						56	58	64	65	66	67	69	70
3/8 A15-15	A15	15	3/8 FEMALE	5/16						106	125	150	184	212	260	300	367
3/8 B15-15	B15	15	3/8 MALE	5/16						60	64	67	71	72	73	74	75
3/8 A15-20	A15	20	3/8 FEMALE	3/8						95	123	146	174	213	246	302	348
3/8 B15-20	B15	20	3/8 MALE	3/8						58	64	67	71	73	74	77	78
3/8 A15-25	A15	25	3/8 FEMALE	1/2						107	137	163	194	237	274	336	388
3/8 B15-25	B15	25	3/8 MALE	1/2						64	65	69	73	75	77	79	80

NOZZLE NO.	BODY NO.	CAP NO.	PIPE CONN.	ORIFICE	CAPACITY G.P.M. (Gallons Per Minute)													
					[SPRAY ANGLE AT p.s.i. (Lbs. per square inch)													
					3	5	7	10	15	20	30	40	60	80	100			
3/8 A20-5	A20	5	3/8 FEMALE	1/8												102	118	145
3/8 B20-5	B20	5	3/8 MALE	1/8												38	44	47
3/8 A20-8	A20	8	3/8 FEMALE	3/32												122	149	172
3/8 B20-8	B20	8	3/8 MALE	3/32												45	50	53
3/8 A20-10	A20	10	3/8 FEMALE	1/4												114	136	167
3/8 B20-10	B20	10	3/8 MALE	1/4												45	50	53
3/8 A20-15	A20	15	3/8 FEMALE	5/16												120	142	170
3/8 B20-15	B20	15	3/8 MALE	5/16												55	58	60
3/8 A20-20	A20	20	3/8 FEMALE	3/8	110	141	167	200	244	282	346	400	490	560	631			
3/8 B20-20	B20	20	3/8 MALE	3/8	53	60	63	66	69	70	72	73	73	74	75			
3/8 A20-25	A20	25	3/8 FEMALE	1/2	137	177	209	250	304	353	433	500	612	700	790			
3/8 B20-25	B20	25	3/8 MALE	1/2	55	61	65	69	71	73	75	76	76	77	78			

3/8 A25-5	A25	5	3/8 FEMALE	1/8												104	120	147
3/8 B25-5	B25	5	3/8 MALE	1/8												35	40	46
3/8 A25-8	A25	8	3/8 FEMALE	3/32												123	150	173
3/8 B25-8	B25	8	3/8 MALE	3/32												39	45	49
3/8 A25-10	A25	10	3/8 FEMALE	1/4												117	139	171
3/8 B25-10	B25	10	3/8 MALE	1/4												42	46	50
3/8 A25-15	A25	15	3/8 FEMALE	5/16												122	145	178
3/8 B25-15	B25	15	3/8 MALE	5/16												50	55	60
3/8 A25-20	A25	20	3/8 FEMALE	3/8	117	152	180	215	263	304	372	430	526	600	680			
3/8 B25-20	B25	20	3/8 MALE	3/8	50	57	61	63	66	68	70	71	72	72	72			
3/8 A25-25	A25	25	3/8 FEMALE	1/2	137	177	209	250	306	353	433	500	612	700	790			
3/8 B25-25	B25	25	3/8 MALE	1/2	52	59	63	65	67	70	72	73	74	74	74			



DESCRIPTION:
VARIOUS COMBINATIONS
OF 3/8 WHIRLJET NOZZLES



Spraying Systems Co.

Spray Nozzles and Accessories
P.O. Box 7900 - Wheaton, Ill. 60189-7900

Rev. No.

Date Sheet No.

3987

Ref.

SHEET OF