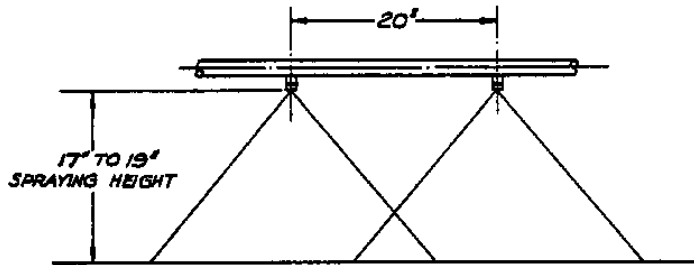
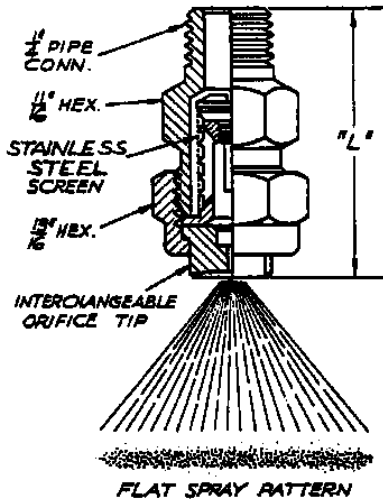


TYPE 1/4TT--- TEEJET[®] SHOWN BELOW
 TYPE 1/4T---- IS THE SAME EXCEPT
 THAT IT HAS A FEMALE CONN.



TABULATION BELOW SHOWS CAPACITIES IN GALLONS PER ACRE AT VARIOUS RIG SPEEDS AND AT THREE LIQUID PRESSURES... NOZZLES SPACED ON 20" CENTERS.

CAPACITIES ARE BASED ON SOLUTIONS OF CONCENTRATED 2,4-D AND WATER AT TEMPERATURE OF 70° F.

A SPRAYING HEIGHT OF 17" TO 19" WILL GIVE THE PROPER OVERLAP OF THE SPRAYS.

p.s.i. = PRESSURE IN LBS. PER SQUARE INCH
 M.P.H. = MILES PER HOUR

NOZZLE NO.	PIPE CONN.	"L"	MESH OF SCREEN	LIQUID PRESSURE IN p.s.i.	GALLONS PER ACRE							
					3 M.P.H.	3.5 M.P.H.	4 M.P.H.	4.5 M.P.H.	5 M.P.H.	7.5 M.P.H.	10 M.P.H.	
1/4T 8001	1/4 FEMALE	1 3/8"	100	25	7.8	6.7	5.8	5.2	4.7	3.1	2.3	
1/4TT 8001	1/4 MALE	1 3/8"	100	30	8.6	7.3	6.4	5.7	5.2	3.4	2.6	
				35	9.2	7.9	6.9	6.2	5.5	3.7	2.8	
1/4T 80015	1/4 FEMALE	1 3/8"	100	25	11.8	10.0	8.8	7.8	7.1	4.7	3.5	
1/4TT 80015	1/4 MALE	1 3/8"	100	30	12.9	11.0	9.6	8.6	7.7	5.1	3.9	
				35	13.9	11.9	10.4	9.3	8.3	5.5	4.2	
1/4T 8002	1/4 FEMALE	1 3/8"	50	25	15.7	13.4	11.7	10.5	9.4	6.2	4.7	
1/4TT 8002	1/4 MALE	1 3/8"	50	30	17.2	14.7	12.8	11.5	10.3	6.8	5.1	
				35	18.5	15.8	13.8	12.3	11.1	7.4	5.5	
1/4T 8003	1/4 FEMALE	1 3/8"	50	25	23.4	20.0	17.5	15.6	14.1	9.3	7.0	
1/4TT 8003	1/4 MALE	1 3/8"	50	30	25.8	22.0	19.2	17.2	15.5	10.3	7.7	
				35	27.8	23.7	20.7	18.5	16.7	11.1	8.3	
1/4T 8004	1/4 FEMALE	1 3/8"	50	25	31.4	26.8	23.4	20.9	18.8	12.5	9.4	
1/4TT 8004	1/4 MALE	1 3/8"	50	30	34.3	29.3	25.6	22.9	20.6	13.7	10.3	
				35	37.0	31.6	27.6	24.7	22.2	14.8	11.1	
1/4T 8006	1/4 FEMALE	1 3/8"	50	25	46.8	40.0	34.9	31.2	28.1	18.7	14.0	
1/4TT 8006	1/4 MALE	1 3/8"	50	30	51.5	44.0	38.4	34.3	30.9	20.6	15.4	
				35	55.5	47.4	41.4	37.0	33.2	22.1	16.6	
1/4T 8008	1/4 FEMALE	1 3/8"	50	25	62.5	53.4	46.6	41.7	37.5	24.9	18.7	
1/4TT 8008	1/4 MALE	1 3/8"	50	30	68.6	58.6	51.2	45.7	41.2	27.4	20.8	
				35	74.0	63.2	55.2	49.3	44.4	29.5	22.2	
1/4T 8010	1/4 FEMALE	1 3/8"	NO STRAINER	25	78.1	66.7	58.2	52.1	46.9	31.2	23.4	
1/4TT 8010	1/4 MALE	1 3/8"	NO STRAINER	30	85.8	73.4	64.0	57.2	51.5	34.2	25.7	
				35	92.5	78.9	69.0	61.7	55.5	36.9	27.7	
1/4T 8015	1/4 FEMALE	1 3/8"	NO STRAINER	25	117	100	87.5	78.2	70.4	46.8	35.1	
1/4TT 8015	1/4 MALE	1 3/8"	NO STRAINER	30	129	110	95.9	85.8	77.2	51.3	38.5	
				35	139	119	104	92.6	83.3	55.3	41.6	

DESCRIPTION:

GALLONS PER ACRE TABULATION
 FOR 1/4T80-- AND 1/4TT80--
 TEEJET NOZZLES
 (20 IN. SPACING)



Spraying Systems Co.[®]

Spray Nozzles and Accessories
 P.O. Box 7900 - Wheaton, Il. 60189-7900

Rev. No. 1

Data Sheet No.

3829

Ref.

SHEET OF