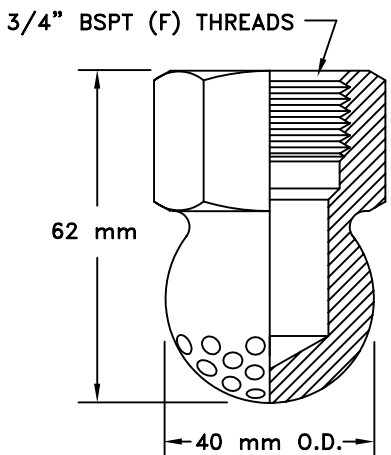


BVSM-1/2--



BVSM-3/4--

## BALL TYPE CONTAINER RINSING NOZZLE

### DESIGN FEATURES:

- FIXED SPRAY HEAD
- SPRAY ANGLE 240° : 40 ORIFICES
- MATERIAL: NYLON
- PIPE CONNECTIONS: 1/2" BSPT (F) OR 3/4" BSPT (F)
- CAPACITY AT 3 bar: 4.71 TO 147.2 L/min.
- OPERATING PRESSURE (RECOMMENDED) 2 TO 4 bar.

### COMMON APPLICATIONS

- INSIDE RINSING OF CHEMICAL CONTAINERS

### How To Order:

SPECIFY NOZZLE No., INLET CONNECTION SIZE, CAPACITY  
EXAMPLE: BVSM-1/2-28

NOZZLE No.	INLET PIPE CONNECTION	ORIFICE DIA. (mm)	CAPACITY - L/min						SPRAY ANGLE
			0.5 bar	1.0 bar	2.0 bar	3.0 bar	5.0 bar	10.0 bar	
BVSM-1/2-28	1/2" BSPT(F)	0.80	8.8	12.5	17.7	21.7	28.0	39.5	240°
BVSM-1/2-44	1/2" BSPT(F)	1.00	13.9	19.7	27.9	34.1	44.0	62.3	
BVSM-1/2-90	1/2" BSPT(F)	1.50	28.5	40.3	56.9	69.7	90.0	127.3	
BVSM-3/4-90	3/4" BSPT(F)								
BVSM-1/2-140	1/2" BSPT(F)	1.95	44.3	62.6	88.5	108.4	140.0	198.0	
BVSM-3/4-140	3/4" BSPT(F)								
BVSM-1/2-190	1/2" BSPT(F)	2.30	60.1	85.0	120.2	147.2	190.0	268.7	
BVSM-3/4-190	3/4" BSPT(F)								

### DESCRIPTION:

BALL TYPE CONTAINER  
RINSING NOZZLE  
(METRIC)



**Spraying Systems Co.®**

Spray Nozzles and Accessories  
P.O. Box 7900 - Wheaton, Il. 60189-7900

Rev. No. 3

Data Sheet No.

37041M

Ref.

SHEET OF