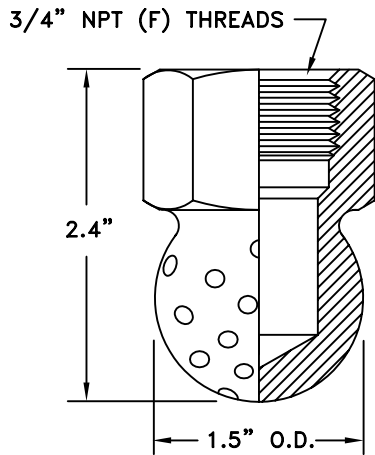


VSM-1/2--



VSM-3/4--

BALL TYPE CONTAINER RINSING NOZZLE

DESIGN FEATURES:

- FIXED SPRAY HEAD
- SPRAY ANGLE 240° : 40 ORIFICES
- MATERIAL: NYLON
- PIPE CONNECTIONS: 1/2" NPT (F) OR 3/4" NPT (F)
- CAPACITY AT 40 PSI: 1.2 TO 37 GPM
- OPERATING PRESSURE (RECOMMENDED) 30 TO 60 PSI

COMMON APPLICATIONS

- INSIDE RINSING OF CHEMICAL CONTAINERS

How To Order:

SPECIFY NOZZLE No., INLET CONNECTION SIZE, CAPACITY
EXAMPLE: VSM-1/2-28

NOZZLE No.	INLET PIPE CONNECTION	ORIFICE DIA.	CAPACITY - GPM						SPRAY ANGLE
			20 PSI	30 PSI	40 PSI	60 PSI	80 PSI	100 PSI	
VSM-1/2-28	1/2" NPT (F)	.031"	3.9	4.8	5.5	6.7	7.8	8.7	240°
VSM-1/2-44	1/2" NPT (F)	.039"	6.1	7.5	8.6	10.6	12.2	13.7	
VSM-1/2-90	1/2" NPT (F)	.059"	12.5	15.3	17.7	22	25	28	
VSM-3/4-90	3/4" NPT (F)								
VSM-1/2-140	1/2" NPT (F)	.077"	19.4	24	27	34	39	43	
VSM-3/4-140	3/4" NPT (F)								
VSM-1/2-190	1/2" NPT (F)	.091"	26	32	37	46	53	59	
VSM-3/4-190	3/4" NPT (F)								

DESCRIPTION:

BALL TYPE CONTAINER
RINSING NOZZLE



Spraying Systems Co.[®]

Spray Nozzles and Accessories
P.O. Box 7900 - Wheaton, Il. 60189-7900

Rev. No. 4

Data Sheet No.

37041

Ref.

SHEET OF