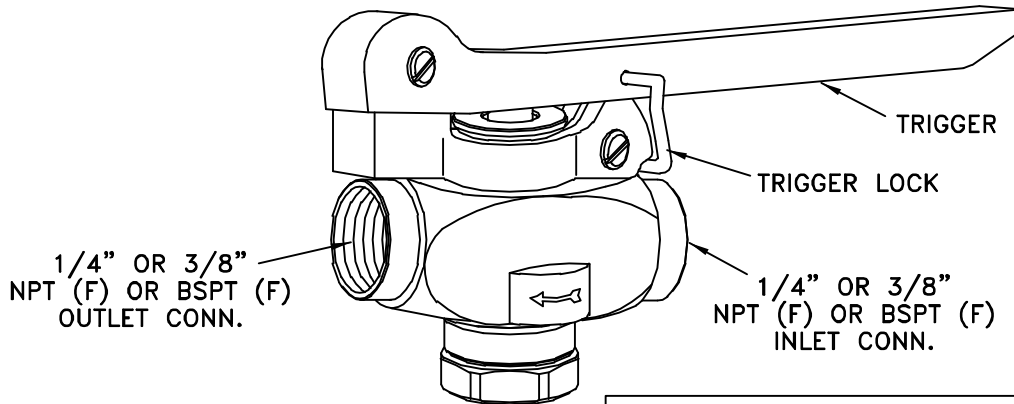


A COMPACT, GENERAL PURPOSE QUICK ACTING "ON-OFF" VALVE... TO SERVE A WIDE VARIETY OF APPLICATIONS. USE WITH PORTABLE SPRAYERS OR SPRAY EXTENSION WANDS. IDEAL AS HAND VALVE WITH CAR WASH AND OTHER POWER WASH EQUIPMENT UP TO 150 PSI (10 bar). IN PIPING SYSTEMS, BECOMES A QUICK ACTING VALVE FOR FAST "ON-OFF" CONTROL.



OVERALL LENGTH - 6 5/32" (156 mm)  
 OVERALL HEIGHT - 4 3/8" (111 mm)

**FEATURES:**

- LIGHT WEIGHT CONSTRUCTION OF BRASS OR STAINLESS STEEL WITH NYLON VALVE SEAT AND VITON O'RINGS.
- TRIGGER LOCK FOR CONTINUOUS FLOW.
- FOR OPERATING PRESSURES UP TO 150 PSI (10 bar).
- FLOW RATES UP TO 7 GPM (27 l/min) WITH LOW PRESSURE DROP... SEE TABULATION BELOW.
- CAN BE USED WITH A CHOICE OF INLET HANDLES (No. 4727, No. 4725, No. 4754 AND No. 5820) FOR USE AS A LIGHT-DUTY SPRAY GUN.
- CAN BE USED WITH SPRAY NOZZLES WITH 1/4" OR 3/8" NPT (M) OR BSPT (M) CONN..

	FLOW RATE		36-1/4 VALVE		36-3/8 VALVE	
	GPM	l/min	PSI	bar	PSI	bar
<b>PRESSURE DROP INFORMATION</b>	2	7.6	1.1	0.08	0.7	0.05
	3	11.4	2.5	0.17	1.5	0.10
	4	15.1	4.5	0.31	2.6	0.18
	5	18.9	7	0.48	4.1	0.28
	6	23	10	0.68	6	0.41
	7	27	14	0.96	8	0.55

**DESCRIPTION:**

NO. AA36--  
 TRIGGER VALVE



**Spraying Systems Co.®**

Spray Nozzles and Accessories  
 P.O. Box 7900 - Wheaton, IL 60189-7900

Rev. No.

Data Sheet No.

36

Ref.

SHEET OF