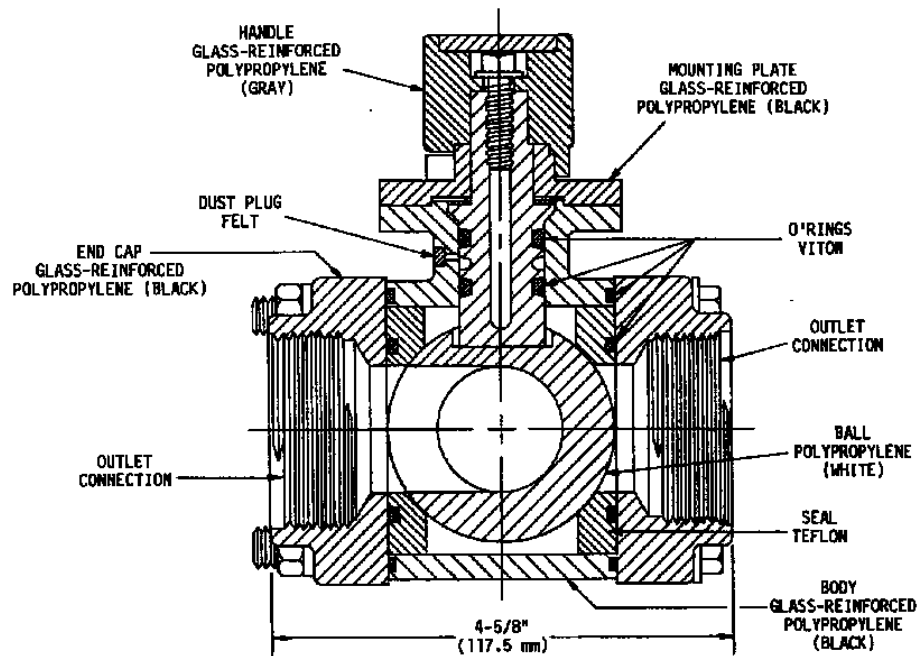


FRONT VIEW



CROSS SECTION SIDE VIEW

FEATURES:

- EASILY INSTALLS IN SYSTEM (FLOWS EITHER DIRECTION).
- MAXIMUM OPERATING PRESSURE - 125 PSI (8 bar).
- MATERIALS OF CONSTRUCTION OFFER EXCELLENT CORROSION RESISTANCE.
WETTED PARTS - GLASS-REINFORCED POLYPROPYLENE, TEFLON, POLYPROPYLENE, VITON.
- DESIGNED FOR EASE OF ASSEMBLY AND DISASSEMBLY.
- UNRESTRICTED FLOW WHEN WIDE OPEN. 5 PSI (0.35 bar) PRESSURE DROP FOR 64 GPM FLOW (242 l/min).
- QUARTER TURN OF HANDLE FROM SHUT-OFF TO FULL FLOW.

MODEL NO.	INLET AND OUTLET CONN.
AA346M-3-1-1/4-PP	1-1/4" N.P.T.(F)
AA346M-3-1-1/2-PP	1-1/2" N.P.T.(F)
AAB346M-3-1-1/4-PP	1-1/4" B.S.P.T.(F)
AAB346M-3-1-1/2-PP	1-1/2" B.S.P.T.(F)

DESCRIPTION:

**NO. AA346M-3--PP
MANUALLY ACTUATED 3-WAY
POLYPROPYLENE BALL VALVE**



Spraying Systems Co.®

Spray Nozzles and Accessories
P.O. Box 7900 - Wheaton, Il. 60189-7900

Rev. No.

Ref.

Data Sheet No.

346M-3--PP

SHEET OF