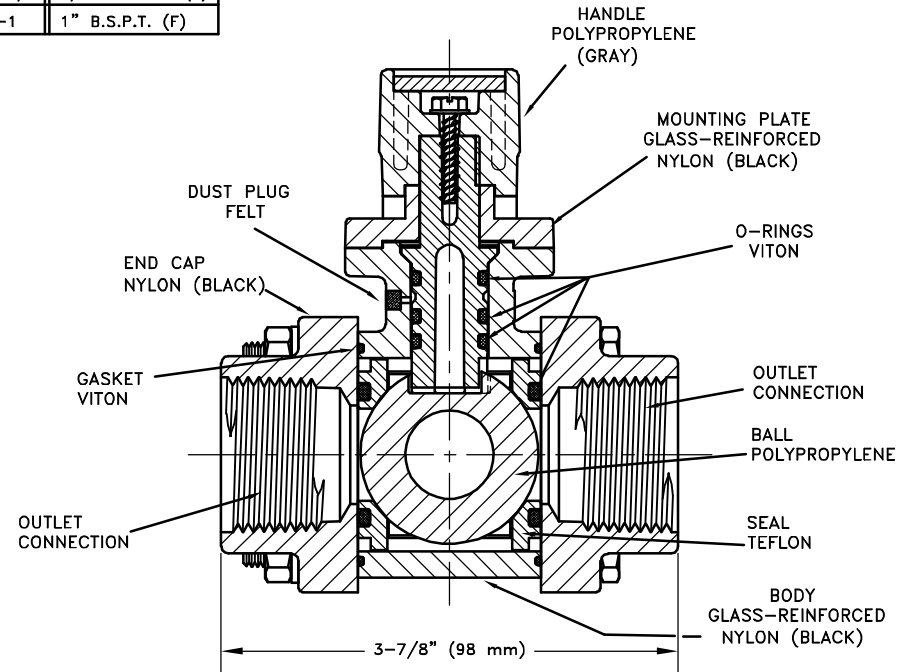
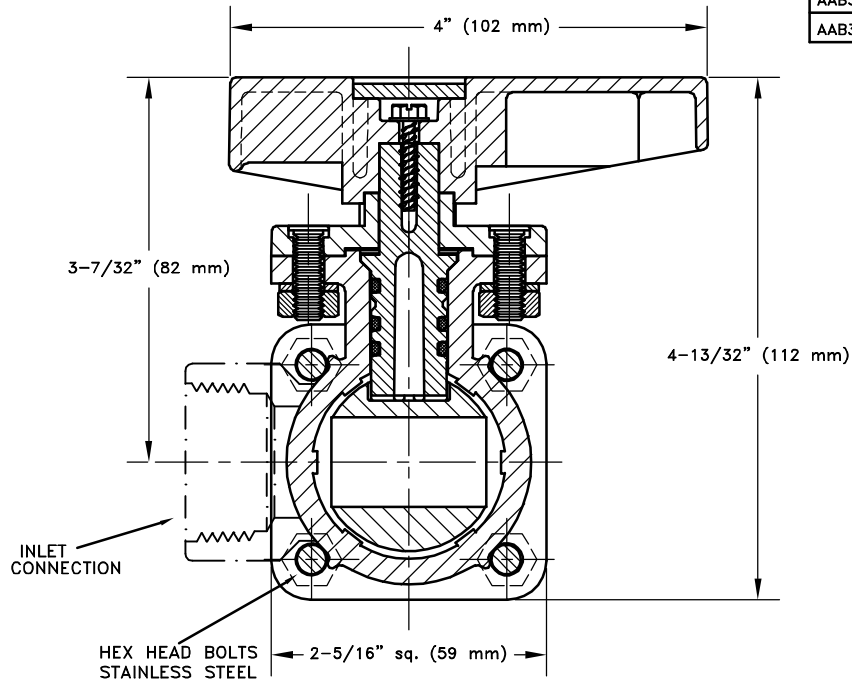


MODEL No.	INLET AND OUTLET CONN.
AA344M-3-3/4	3/4" N.P.T. (F)
AA344M-3-1	1" N.P.T. (F)
AAB344M-3-3/4	3/4" B.S.P.T. (F)
AAB344M-3-1	1" B.S.P.T. (F)



#### FEATURES:

- EASILY INSTALLED IN SYSTEM.
- MAXIMUM OPERATING PRESSURE - 300 psi (20 bar).
- MATERIAL OF CONSTRUCTION OFFER EXCELLENT CORROSION RESISTANCE.  
WETTED PARTS - GLASS-REINFORCED NYLON, TEFLON, POLYPROPYLENE AND VITON.
- DESIGNED FOR EASE OF ASSEMBLY AND DISASSEMBLY.
- UNRESTRICTED FLOW WHEN WIDE OPEN 5 psi (0.35 bar) PRESSURE DROP FOR 24 GPM (91 l/min) FLOW.
- QUARTER TURN OF HANDLE FROM SHUT-OFF DIVERTS FLOW TO EITHER OUTLET.

DESCRIPTION:  
NO. AA344M-3 MANUAL  
3-WAY CONTROL BALL VALVE



**Spraying Systems Co.**  
Spray Nozzles and Accessories  
P.O. Box 7900 - Wheaton, IL 60189-7900

Rev. No. 4

Data Sheet No.

Ref.

**344M-3**

SHEET OF