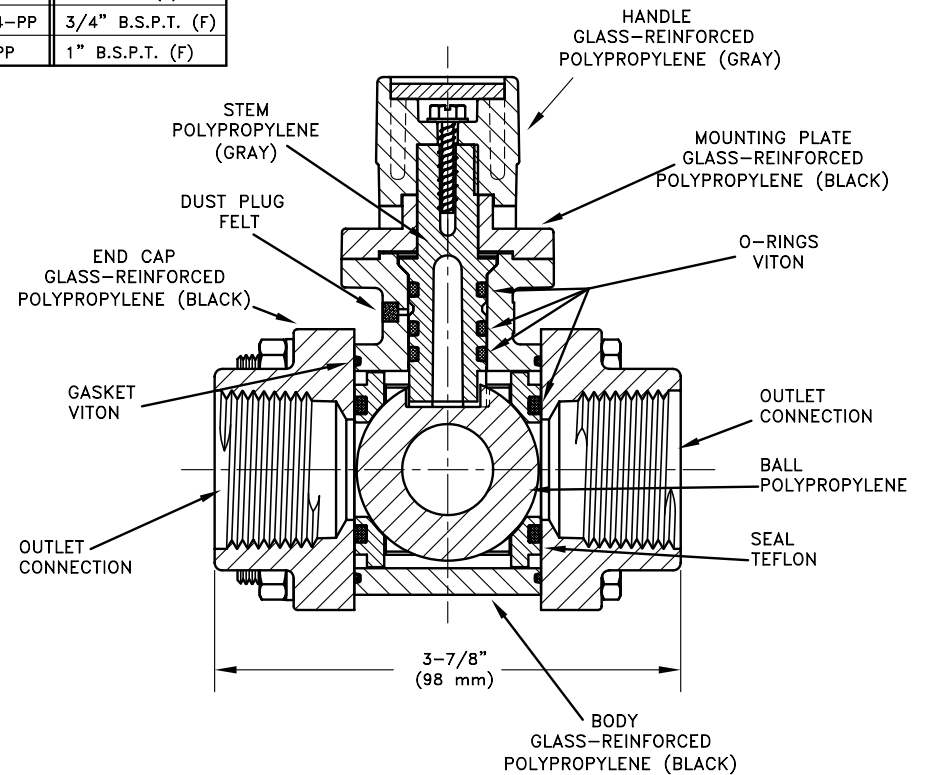
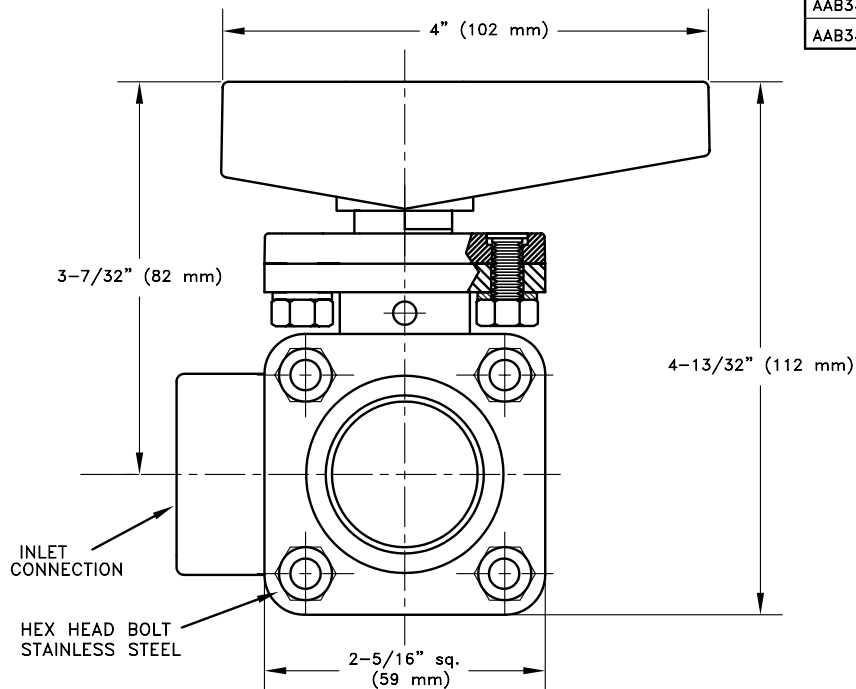


MODEL No.	INLET AND OUTLET CONN.
AA344M-3-3/4-PP	3/4" N.P.T. (F)
AA344M-3-1-PP	1" N.P.T. (F)
AAB344M-3-3/4-PP	3/4" B.S.P.T. (F)
AAB344M-3-1-PP	1" B.S.P.T. (F)



FEATURES:

- EASILY INSTALLED IN SYSTEM.
- MAXIMUM OPERATING PRESSURE - 125 psi (8 bar).
- MATERIAL OF CONSTRUCTION OFFER EXCELLENT CORROSION RESISTANCE.
WETTED PARTS - GLASS-REINFORCED POLYPROPYLENE, TEFLON, POLYPROPYLENE AND VITON.
- DESIGNED FOR EASE OF ASSEMBLY AND DISASSEMBLY.
- UNRESTRICTED FLOW WHEN WIDE OPEN 5 psi (0.35 bar) PRESSURE DROP FOR 24 GPM (91 l/min) FLOW.
- QUARTER TURN OF HANDLE FROM SHUT-OFF DIVERTS FLOW TO EITHER OUTLET.

DESCRIPTION:

No. AA(B)344M-3-___-PP
MANUALLY ACTUATED, 3-WAY
POLYPROPYLENE BALL VALVE
(NPT & BSPT VERSIONS)



Spraying Systems Co.®

Spray Nozzles and Accessories
P.O. Box 7900 - Wheaton, Il. 60189-7900

Rev. No. 4

Ref.

DATA SHEET
344M-3-PP
SHEET OF