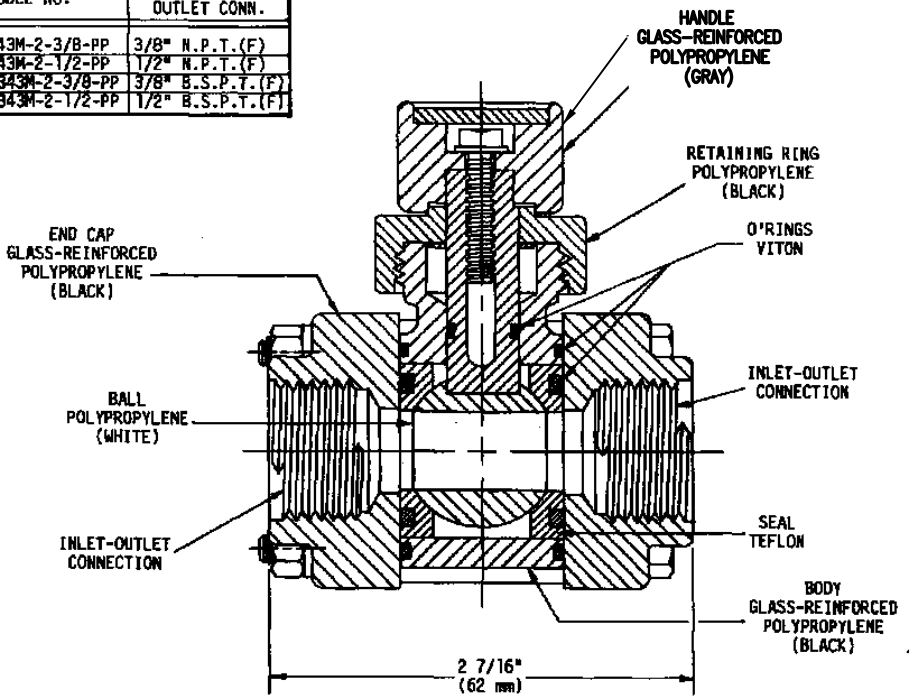


MODEL NO.	INLET AND OUTLET CONN.
AA343M-2-3/8-PP	3/8" N.P.T.(F)
AA343M-2-1/2-PP	1/2" N.P.T.(F)
AAB343M-2-3/8-PP	3/8" B.S.P.T.(F)
AAB343M-2-1/2-PP	1/2" B.S.P.T.(F)




**FEATURES:**

**FRONT VIEW**

**CROSS SECTION SIDE VIEW**

- EASILY INSTALLS IN SYSTEM.
- MAXIMUM OPERATING PRESSURE - 150 PSI (10 bar).
- MATERIALS OF CONSTRUCTION OFFER EXCELLENT CORROSION RESISTANCE. WETTED PARTS - GLASS-REINFORCED POLYPROPYLENE, TEFLON, POLYPROPYLENE, VITON.
- DESIGNED FOR EASE OF ASSEMBLY AND DISASSEMBLY.
- UNRESTRICTED FLOW WHEN WIDE OPEN. 5 PSI (0.35 bar) PRESSURE DROP FOR 11 GPM FLOW (42 l/min).
- QUARTER TURN OF HANDLE FROM SHUT-OFF TO FULL FLOW.

**DESCRIPTION:**  
 No. AA343M-2--PP  
**MANUALLY ACTUATED 2-WAY  
 POLYPROPYLENE BALL VALVE**



**Spraying Systems Co.®**  
 Spray Nozzles and Accessories  
 P.O. Box 7900 - Wheaton, Il. 60189-7900

Rev. No.	Data Sheet No.
Ref.	<b>343M-2--PP</b>
	SHEET OF