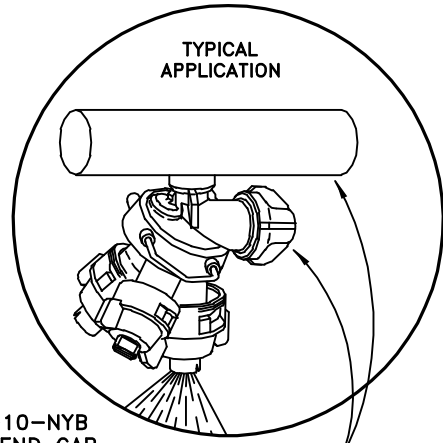
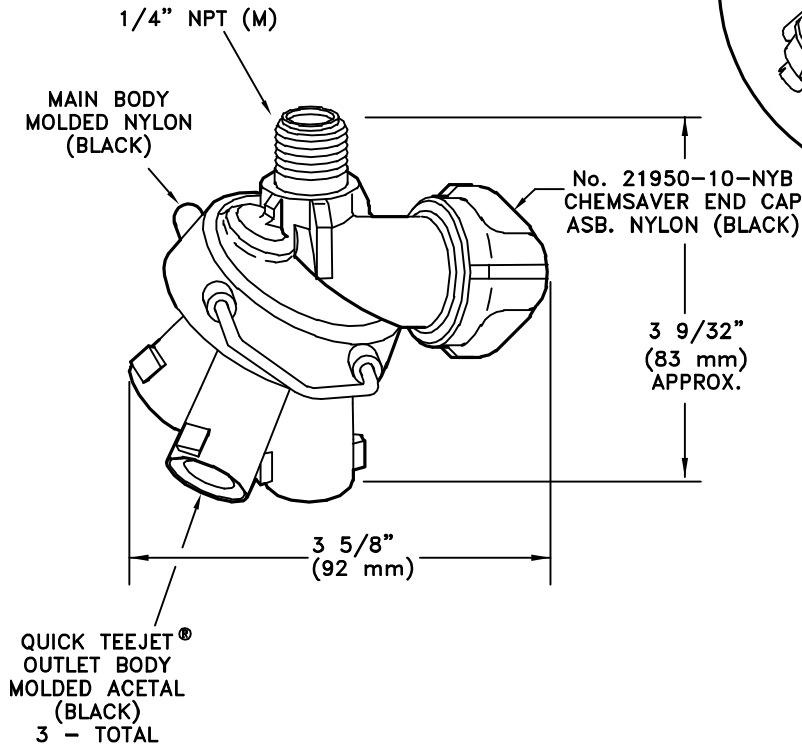


U.S. PATENT Nos. 4527745,
D280125, OTHER U.S. AND
FOREIGN PATENTS GRANTED
OR PENDING



CHECK VALVE
MUST RUN
PARALLEL
WITH PIPE

OTHER FEATURES:

- QUICK HAND INDEXING WITH CHOICE OF THREE DIFFERENT SPRAY TIPS FOR EASIER CHANGING OF SPRAY PATTERNS OR APPLICATION RATES.
- DRIP-FREE POSITIVE SHUT-OFF.
- 1/4" NPT (M) INLET CONNECTION
- MADE OF CORROSION RESISTANT MATERIALS.
- MAXIMUM OPERATING PRESSURE - 125 PSI (9 bar).

NOTE: CHECK VALVE OF THE NOZZLE MUST BE PARALLEL WITH THE FLUID PIPE TO ASSURE PROPER ALIGNMENT OF THE SPRAY TIPS.

DESCRIPTION:

NO. 24231A- -NYB
QUICK TEEJET
TRIPLE NOZZLE BODY



Spraying Systems Co.®

Spray Nozzles and Accessories
P.O. Box 7900 - Wheaton, IL 60189-7900

Rev. No.

Data Sheet No.

24231A

Ref.

SHEET OF