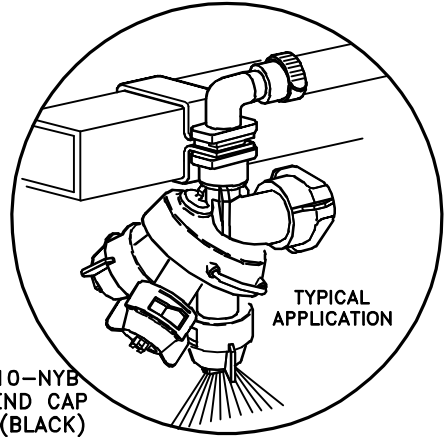
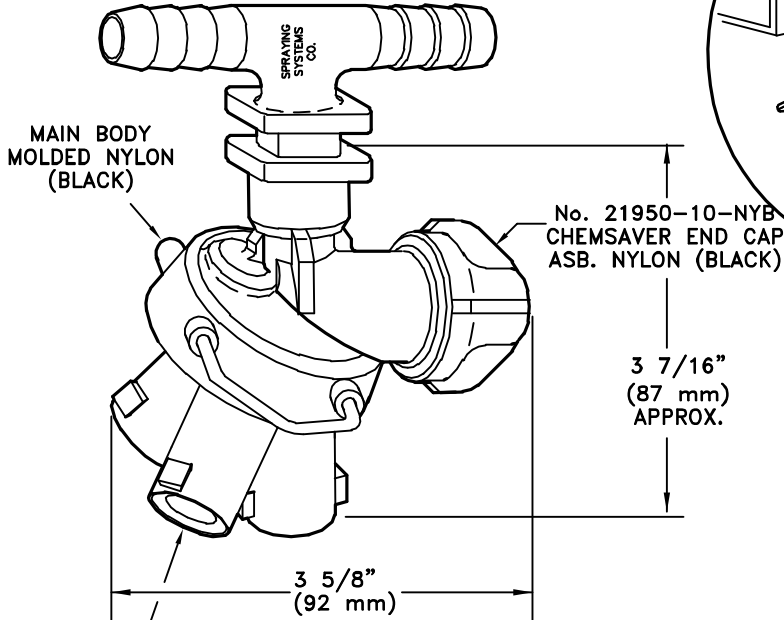


U.S. PATENT Nos. 4527745,
D280125, OTHER U.S. AND
FOREIGN PATENTS GRANTED
OR PENDING



QUICK TEEJET®
OUTLET BODY
MOLDED ACETAL
(BLACK)
3 - TOTAL

TRIPLE NOZZLE ASSEMBLY		
SINGLE	DOUBLE	TRIPLE
24230A-1-540-NYB	24230A-2-540-NYB	24230A-3-540-NYB
24230A-1-785-NYB	24230A-2-785-NYB	24230A-3-785-NYB

OTHER FEATURES:

- QUICK HAND INDEXING WITH CHOICE OF THREE DIFFERENT SPRAY TIPS FOR EASIER CHANGING OF SPRAY PATTERNS OR APPLICATION RATES.
- DRIP-FREE POSITIVE SHUT-OFF.
- DESIGNED FOR USE WITH QUICK TEEJET® VARI-SPACING CLAMPS - SEE DATA SHEET 21386-4.
- HOSE SHANK AVAILABLE AS SINGLE OR DOUBLE HOSE SHANK IN 1/2" AND 3/4" SIZES.
- MADE OF CORROSION RESISTANT MATERIALS.
- MAXIMUM OPERATING PRESSURE - 125 PSI (9 bar).

DESCRIPTION:

NO. 24230A- -NYB
QUICK TEEJET
SHANK TRIPLE NOZZLE



Spraying Systems Co.®

Spray Nozzles and Accessories
P.O. Box 7900 - Wheaton, Il. 60189-7900

Rev. No.

Ref.

Data Sheet No.

24230A

SHEET OF