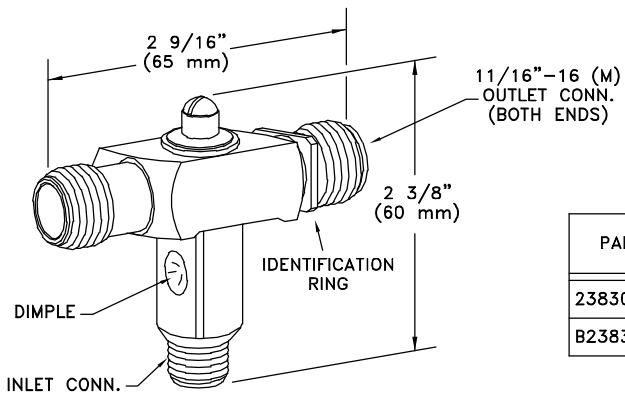
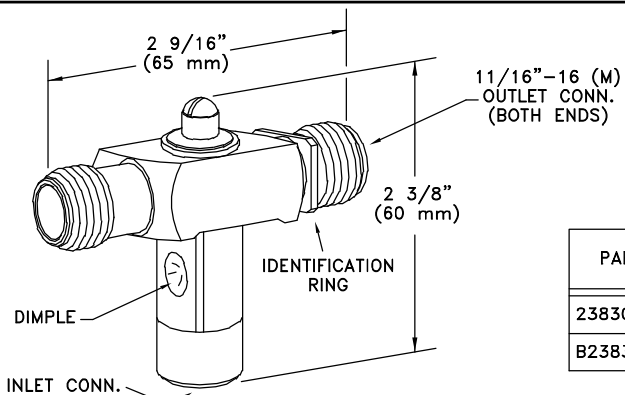


PART No.	SWIVEL INLET CONN.
23830	11/16" - 16 (F)

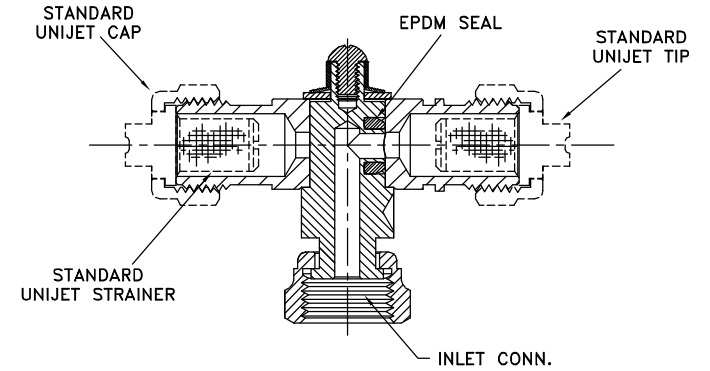


PART No.	INLET CONN.
23830-1/4M	1/4" NPT (M)
B23830-1/4M	1/4" BSPT (M)



PART No.	INLET CONN.
23830-1/4F	1/4" NPT (F)
B23830-1/4F	1/4" BSPT (F)

No. 23830 CROSS SECTION VIEW SHOWN BELOW.
(SAME FOR OTHER MODELS, EXCEPT INLET BODY)



MATERIAL: BRASS WITH EPDM SEAL AND
STAINLESS STEEL RETAINING RING

FEATURES:

- MAXIMUM RECOMMENDED PRESSURE - 500 PSI (34 bar)
- POSITIVE INDEXING FROM "SHUT-OFF" TO "OPEN" POSITION; SHUT-OFF POSITION AT 90° TO OPEN POSITION
- INDEXING IS RECOMMENDED ONLY AT ZERO LINE PRESSURE
- CAN BE USED WITH ALL UNIJET SPRAY TIPS AND STRAINERS
- 10 PSI (0.7 bar) PRESSURE DROP WITH 2 GPM (7.6 l/min)
- DIMPLE ON OUTLET SIDE OF VALVE

DESCRIPTION:
NO. 23830--
DOUBLE OUTLET
ROLLOVER VALVE ASSEMBLIES



Spraying Systems Co.
Spray Nozzles and Accessories
P.O. Box 7900 - Wheaton, Il. 60189-7900

Rev. No.

Data Sheet No.

Ref.

23830-1
SHEET OF