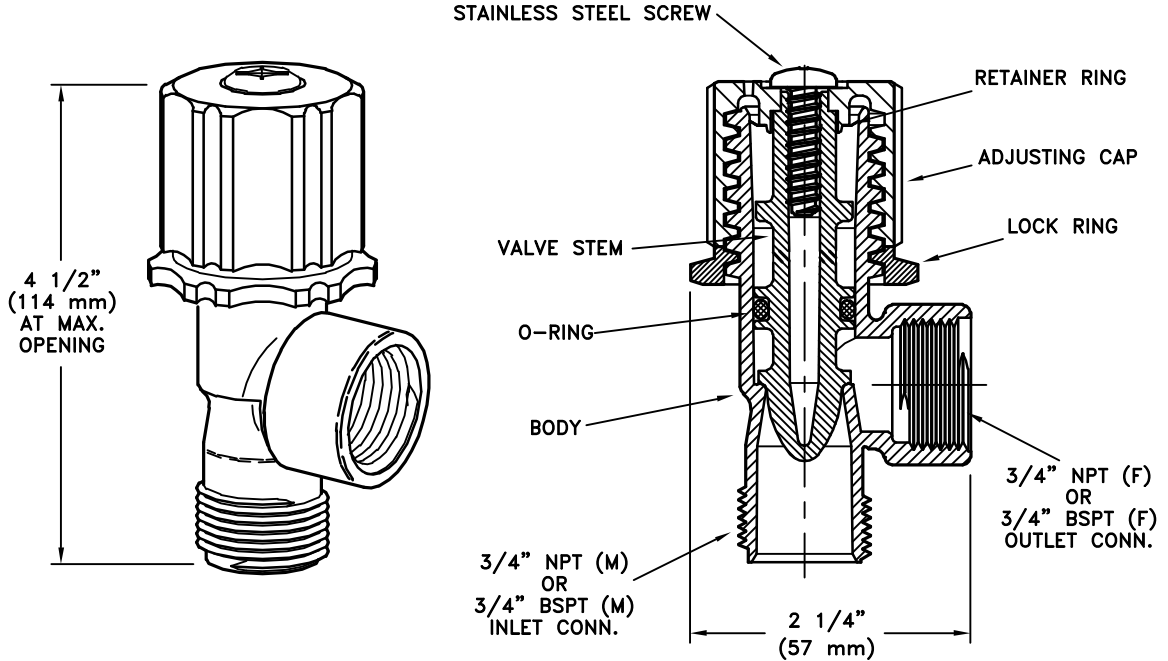


THE 23520-3/4 THROTTLING VALVES ARE GENERALLY USED FOR METERING FLOW ON SYSTEMS EQUIPPED WITH CENTRIFUGAL PUMPS, OR FOR OTHER APPLICATIONS WHERE METERING OF FLOW IS REQUIRED. CAN BE USED FOR CONTROLLING FLOW IN JET AGITATOR RETURN LINES.



**MATERIAL** - POLYPROPYLENE WITH EPDM O-RING (VITON OPTIONAL), STAINLESS STEEL SCREW AND ZINC PLATED STEEL RETAINER RING.

FLOW RATES (IN FULLY OPEN POSITION)													
10 P.S.I. (0.7 bar)		20 P.S.I. (1.4 bar)		30 P.S.I. (2.1 bar)		40 P.S.I. (2.8 bar)		60 P.S.I. (4.1 bar)		80 P.S.I. (5.5 bar)		100 P.S.I. (6.9 bar)	
GPM	L/min	GPM	L/min	GPM	L/min	GPM	L/min	GPM	L/min	GPM	L/min	GPM	L/min
18	68	25	95	30	114	34	129	40	151	44	167	48	182

**FEATURES:**

- MAXIMUM RECOMMENDED PRESSURE - 150 P.S.I. (10.4 bar).
- COMPACT SIZE.
- ADJUSTING CAP TO VARY FLOW THROUGH VALVE WITH LOCK RING TO MAINTAIN SETTING.
- POSITIVE SHUT-OFF.
- 2 3/4 TURNS TO FULLY OPEN.
- WETTED PARTS ARE POLYPROPYLENE AND EPDM (VITON OPTIONAL).

**DESCRIPTION:**

**NO. 23520-3/4-PP  
THROTTLING VALVE**



**Spraying Systems Co.®**

**Spray Nozzles and Accessories  
P.O. Box 7900 - Wheaton, IL 60189-7900**

Rev. No. 2

Data Sheet No.

**23520-3/4**

Ref.

SHEET OF