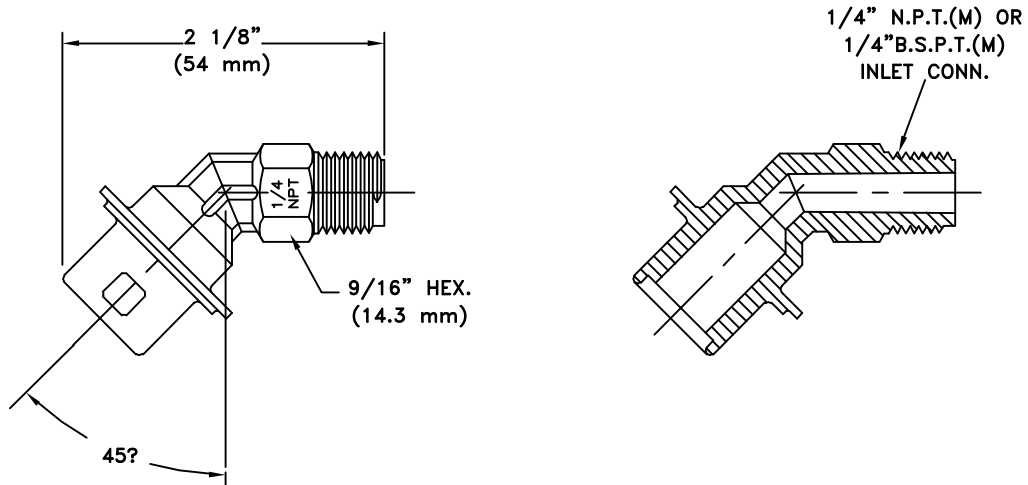


THE NO. 22674-1/4-NYB 45° TEEJET NOZZLE BODY IS USED WITH QUICK TEEJET®, CAPS, STRAINERS AND SPRAY TIPS. IDEAL FOR USE WITH FULLJET®, AND FLOODJET®, SPRAY TIPS TO OPTIMIZE UNIFORMITY OF SPRAY DISTRIBUTION ALONG THE BOOM. CAN BE USED WITH QJ4676-1/4-CELR ON QUICK TEEJET®, SYSTEMS OR 4676-1/4 ON STANDARD TEEJET NOOZZLE BODIES.



MATERIAL: NYLON (BLACK)

45° TEEJET NOZZLE BODY NO.	INLET CONNECTION
22674-1/4-NYB	1/4" N.P.T. (M)
B22674-1/4-NYB	1/4" B.S.P.T. (M)

DESCRIPTION:

**NO. 22674-1/4-NYB AND
NO. B22674-1/4-NYB
45 DEG. TEEJET NOZZLE BODIES**



Spraying Systems Co.®

**Spray Nozzles and Accessories
P.O. Box 7900 - Wheaton, IL 60189-7900**

Rev. No.

Ref.

Data Sheet No.

22674

SHEET OF