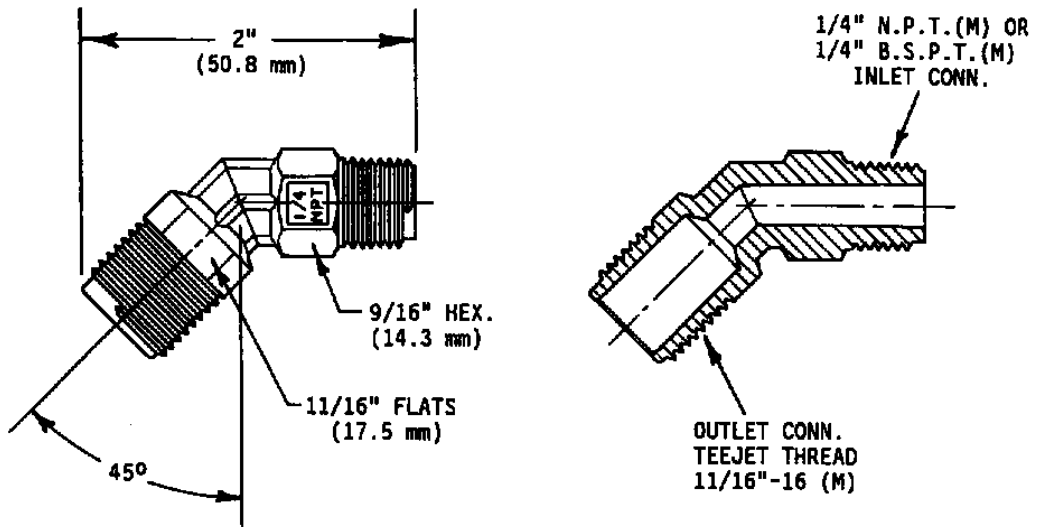


THE NO. 22669-1/4-PPB 45° TEEJET® NOZZLE BODY IS USED WITH TEEJET® CAPS, STRAINERS AND SPRAY TIPS. IDEAL FOR USE WITH FULLJET® AND FLOODJET® SPRAY TIPS TO OPTIMIZE UNIFORMITY OF SPRAY DISTRIBUTION ALONG THE BOOM. CAN BE USED WITH QJ4676-1/4-CELR ON QUICK TEEJET® SYSTEMS OR 4676-1/4 ON STANDARD TEEJET NOZZLE BODIES. PRESSURE RATING 150 PSI (10 bar).



MATERIAL: MOLDED POLYPROPYLENE (BLACK)

45° TEEJET NOZZLE BODY NO.	INLET CONNECTION
22669-1/4-PPB	1/4" N.P.T.(M)
B22669-1/4-PPB	1/4" B.S.P.T.(M)

DESCRIPTION:

NO. 22669-1/4-PPB &
NO. B22669-1/4-PPB
45 DEG. TEEJET NOZZLE BODIES



Spraying Systems Co.®

Spray Nozzles and Accessories
P.O. Box 7900 - Wheaton, IL 60189-7900

Rev. No.

Ref.

Data Sheet No.

22669

SHEET OF