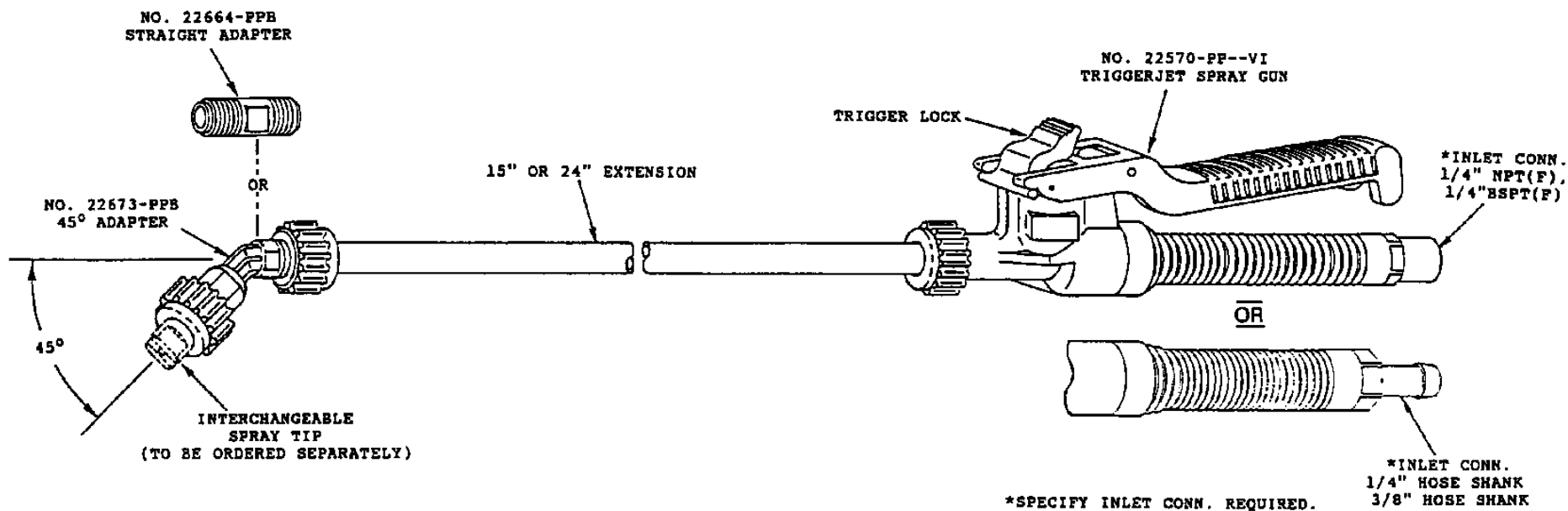


THE NO. 22570-PP--VI TRIGGERJET HAND OPERATED SPRAY GUN IS MADE OF MOLDED POLYPROPYLENE WITH A POLYESTER EXTENSION. IT IS LIGHTWEIGHT AND IS DESIGNED FOR COMFORT AND EASE OF OPERATION. THE TRIGGERJET SPRAY GUN IS ALSO AVAILABLE WITHOUT EXTENSION. (SEE D.S. 22650-1).

THE 22570-PP--VI SPRAY GUN CAN BE USED WITH EITHER THE NO. 22673-PPB 45° ADAPTER OR THE NO. 22664-PPB STRAIGHT ADAPTER (BOTH INCLUDED).



**FEATURES:**

- REPLACEABLE INTERNAL DIAPHRAGM SHUT-OFF MADE OF VITON.
- TRIGGER LOCK...PERMITS LOCKING VALVE IN OPEN POSITION FOR CONTINUOUS FLOW OF LIQUID.
- TRIGGER...DESIGNED FOR EASE AND COMFORT IN OPERATION.
- MAXIMUM PRESSURE 150 PSI (10 bar).
- AVAILABLE WITH 15" OR 24" EXTENSION.

DESCRIPTION:  
NO. 22570-PP--VI  
TRIGGERJET SPRAY GUN  
WITH EXTENSION



**Spraying Systems Co.®**

Spray Nozzles and Accessories  
P.O. Box 7900 - Wheaton, Il. 60189-7900

Rev. No. 2

Data Sheet No.

**22570**

Ref.

SHEET OF