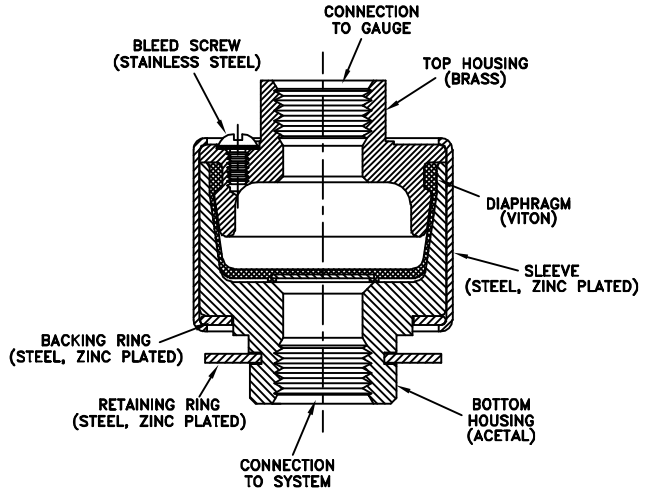
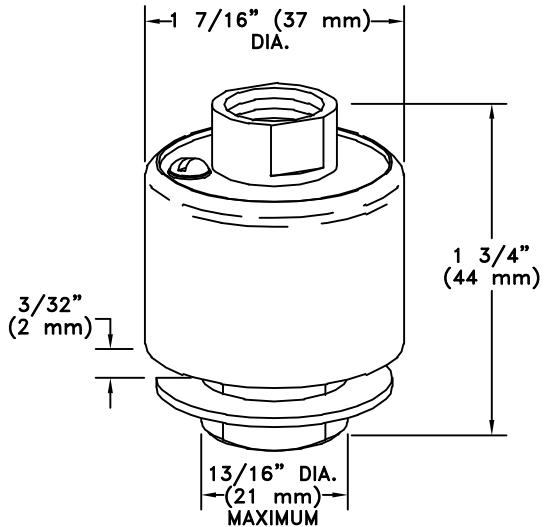


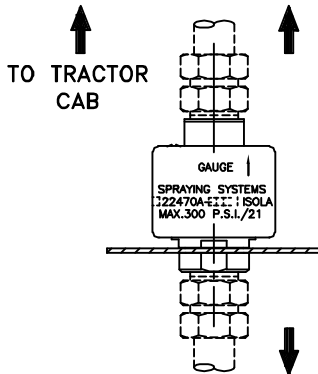
THE No. 22470A-- GAUGE ISOLATOR IS DESIGNED TO PROTECT GAUGES FROM CORROSIVE CHEMICALS, AS WELL AS TO HELP PROTECT OPERATORS OF EQUIPMENT WITH REMOTE GAUGES SUCH AS THE No. 744A SPRAYER CONTROL, BY HELPING TO KEEP CHEMICALS OUT OF THE TRACTOR CAB OR WORK STATION.



**MATERIALS**

- EXPOSED TO GAUGE FLUID-- BRASS, STAINLESS STEEL, BUNA-N AND VITON
- EXPOSED TO SYSTEM FLUID-- VITON AND UV STABILIZED ACETAL.

MODEL No.	CONNECTION TO GAUGE	CONNECTION TO SYSTEM
22470A-1/8	1/8" NPT (F)	1/8" NPT (F)
22470A-1/4	1/4" NPT (F)	1/4" NPT (F)
B22470A-1/8	1/8" BSPT (F)	1/8" BSPT (F)
B22470A-1/4	1/4" BSPT (F)	1/4" BSPT (F)
22470A-1/4 NPTX1/4BSPT	1/4" BSPT (F)	1/4" NPT (F)



**FLUID TO GAUGE**

(MUST BE BUBBLE-FREE. USE GLYCERIN, TYPE II OR TYPE A AUTOMATIC TRANSMISSION FLUID OR OTHER FLUID WHICH WON'T FREEZE AND IS COMPATIBLE WITH ISOLATOR & GAUGE MATERIAL.) SEE MI 22470A SHEET FOR FILLING INSTRUCTIONS.

ISOLATOR MOUNTS THROUGH A 13/16" (21 mm) DIA. HOLE IN UP TO 14 GAUGE (.078") MATERIAL, SECURED BY THE RETAINING RING.

**SYSTEM FLUID (MUST BE COMPATIBLE WITH VITON AND ACETAL).**

**DESCRIPTION:**

**NO. 22470A- GAUGE ISOLATOR**



**Spraying Systems Co.®**

**Spray Nozzles and Accessories**  
P.O. Box 7900 - Wheaton, IL 60189-7900

Rev. No. 1

Ref.

Data Sheet No.

**22470A**

SHEET OF