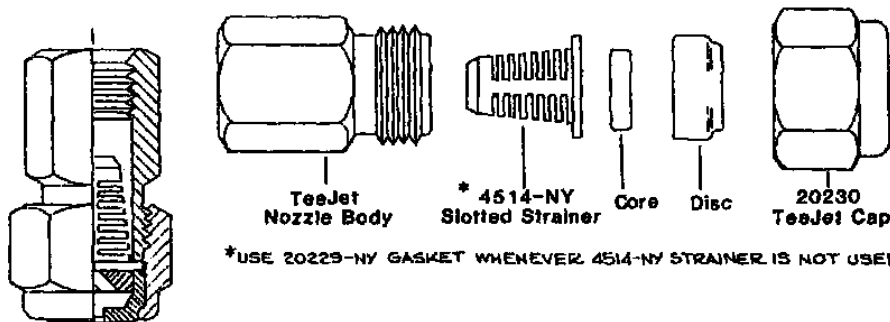


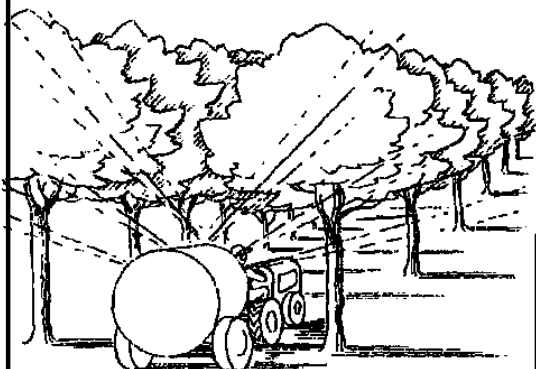
# TeeJet Nozzles with — CERAMIC DISCS & CORES



— IMPROVED PERFORMANCE —  
 MOST USEFUL FOR ABRASIVE PESTICIDE FORMULATIONS —  
 (AND POWDER HERBICIDES). WEAR-RESISTANT CERAMIC DISCS  
 AND CORES CAN BE USED WITH ALL TYPES OF TEEJET NOZZLE  
 ASSEMBLIES. MAINTENANCE TIME IS REDUCED TO A MINIMUM  
 BECAUSE OF THE LONGER LIFE OF THE NON-CORROSIVE AND  
 ABRASION-RESISTANT CERAMIC.

\*\*SPRAY  
ANGLE

\*\* APPROX. 75° FOR CORE NOS. 25- & 45-  
 APPROX. 25° FOR CORE NO. 46-



USED IN ORCHARD AIR BLAST SPRAYERS.

### FEATURES:

- LONGER SERVICE LIFE.
- REDUCED MAINTENANCE TIME.
- RESISTS CORROSION ATTACK.
- ACCEPTS MORE ABRASIVE PESTICIDE FORMULATIONS.
- LESS AFFECTED BY EROSIIVE HERBICIDE POWDER MIXTURES.
- POPULAR NOZZLE SIZES FIT MOST SPRAYERS.
- OPERATES AT HIGHER PRESSURES, UP TO 4000 kPa (580 PSI).
- CAN BE USED WITH ALL TYPES OF TEEJET NOZZLE BODIES.

DISC & CORE NOS.	ORIF. DIA. mm (INS.)	CAPACITY IN LITERS PER MINUTE (GPM) AT LIQUID PRESSURE IN kPa (PSI)				
		300 kPa (43.5 PSI)	1000 kPa (145 PSI)	2000 kPa (290 PSI)	3000 kPa (435 PSI)	4000 kPa (580 PSI)
DCER2-25 CER	1.0 (2/64)	0.62 (0.16)	1.1 (0.29)	1.5 (0.40)	1.8 (0.48)	2.1 (0.56)
DCER3-25 CER	1.2 (3/64)	0.75 (0.20)	1.3 (0.34)	1.8 (0.48)	2.2 (0.58)	2.5 (0.66)
DCER4-25 CER	1.6 (4/64)	1.1 (0.29)	2.0 (0.53)	2.8 (0.74)	3.4 (0.90)	3.9 (1.0)
DCER5-25 CER	2.0 (5/64)	1.4 (0.37)	2.4 (0.64)	3.3 (0.87)	4.2 (1.1)	4.7 (1.2)
DCER6-25 CER	2.4 (6/64)	1.8 (0.47)	3.2 (0.84)	4.4 (1.2)	5.4 (1.4)	6.1 (1.6)
DCER7-25 CER	2.8 (7/64)	2.0 (0.54)	3.7 (0.97)	5.1 (1.4)	6.3 (1.7)	7.2 (1.9)
DCER8-25 CER	3.2 (8/64)	2.4 (0.63)	4.4 (1.2)	6.2 (1.7)	7.6 (2.0)	8.8 (2.3)
DCER2-45 CER	1.0 (2/64)	0.80 (0.21)	1.4 (0.38)	2.0 (0.53)	2.4 (0.64)	2.8 (0.74)
DCER3-45 CER	1.2 (3/64)	0.91 (0.24)	1.6 (0.42)	2.3 (0.61)	2.8 (0.74)	3.2 (0.84)
DCER4-45 CER	1.6 (4/64)	1.4 (0.37)	2.5 (0.66)	3.6 (0.95)	4.4 (1.2)	5.0 (1.3)
DCER5-45 CER	2.0 (5/64)	1.8 (0.48)	3.2 (0.84)	4.5 (1.2)	5.5 (1.4)	6.4 (1.7)
DCER6-45 CER	2.4 (6/64)	2.3 (0.61)	4.3 (1.1)	6.1 (1.6)	7.5 (2.0)	8.7 (2.3)
DCER7-45 CER	2.8 (7/64)	2.7 (0.71)	5.0 (1.3)	7.2 (1.9)	8.9 (2.3)	10.3 (2.7)
DCER8-45 CER	3.2 (8/64)	3.3 (0.88)	6.2 (1.6)	8.9 (2.4)	10.9 (2.9)	12.7 (3.4)
DCER2-46 CER	1.0 (2/64)	1.1 (0.29)	1.5 (0.40)	2.5 (0.67)	3.0 (0.80)	3.5 (0.92)
DCER3-46 CER	1.2 (3/64)	1.3 (0.34)	2.3 (0.60)	3.2 (0.84)	4.0 (1.1)	4.5 (1.2)
DCER4-46 CER	1.6 (4/64)	2.2 (0.58)	4.0 (1.1)	5.7 (1.5)	6.9 (1.8)	7.9 (2.1)
DCER5-46 CER	2.0 (5/64)	3.0 (0.79)	5.6 (1.5)	8.0 (2.1)	9.7 (2.6)	11.2 (3.0)
DCER6-46 CER	2.4 (6/64)	4.4 (1.2)	8.0 (2.1)	11.4 (3.0)	14.0 (3.7)	17.4 (4.6)
DCER7-46 CER	2.8 (7/64)	5.5 (1.4)	10.0 (2.6)	13.8 (3.6)	17.4 (4.6)	21 (5.6)
DCER8-46 CER	3.2 (8/64)	7.2 (1.9)	13.2 (3.5)	18.8 (5.0)	23 (6.1)	26 (7.0)

### DESCRIPTION:

TEEJET SPRAY NOZZLES  
 WITH CERAMIC  
 DISC-CORE TYPE  
 CONE SPRAY TIPS



## Spraying Systems Co.®

Spray Nozzles and Accessories  
 P.O. Box 7900 - Wheaton, IL 60189-7900

Rev. No.

Data Sheet No.

**20395**

Ref.

SHEET OF