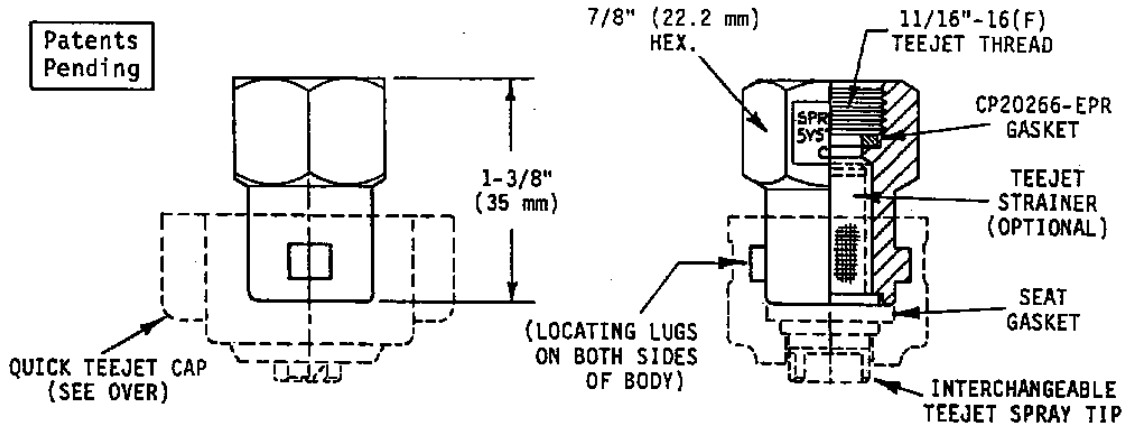
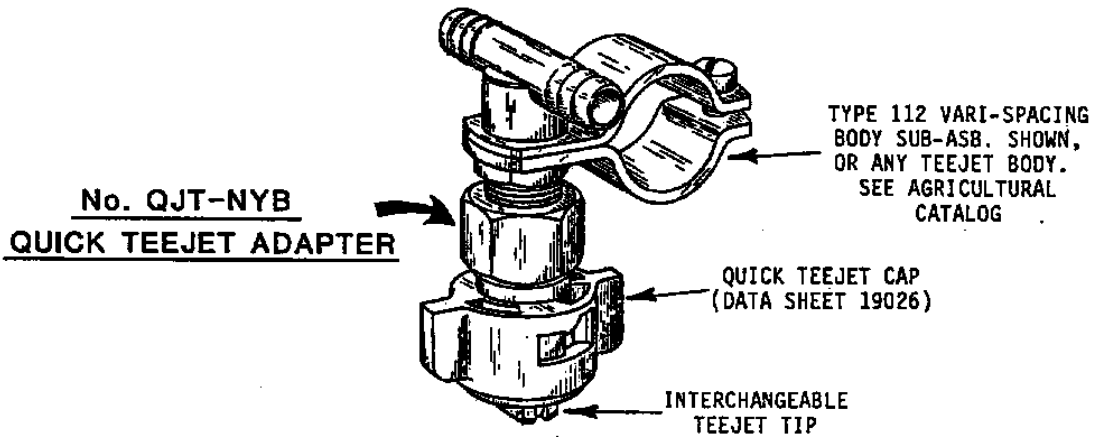


THE QJT-NYB QUICK TEEJET ADAPTER PERMITS USAGE OF THE QUICK TEEJET CAPS AND TEEJET TIPS WITH ALL TEEJET NOZZLE BODIES...TO PROVIDE A QUICK-CHANGE FEATURE TOGETHER WITH SPRAY TIP SELF ALIGNMENT.



MATERIAL: MOLDED NYLON (BLACK) WITH EPDM GASKET.

TYPICAL USE



TO PROVIDE PROPER SPRAY ALIGNMENT FOR FLAT SPRAY TIPS, THE QJT ADAPTER IS TO BE SCREWED ONTO A TEEJET BODY...

- ① UNTIL IT PROVIDES A LEAK-PROOF CONNECTION WITH TEEJET BODY & THEN,
- ② TIGHTEN FURTHER TO SUIT THE SPRAY PATTERN ALIGNMENT REQUIRED.

DESCRIPTION:
 QJT-NYB QUICK TEEJET ADAPTER
 WITH 11/16-16 TEEJET THREAD
 FOR USE WITH ALL
 TEEJET NOZZLE BODIES



Spraying Systems Co.[®]
 Spray Nozzles and Accessories
 P.O. Box 7900 - Wheaton, Il. 60189-7900

Rev. No.

Data Sheet No.

20093

Ref.

SHEET OF