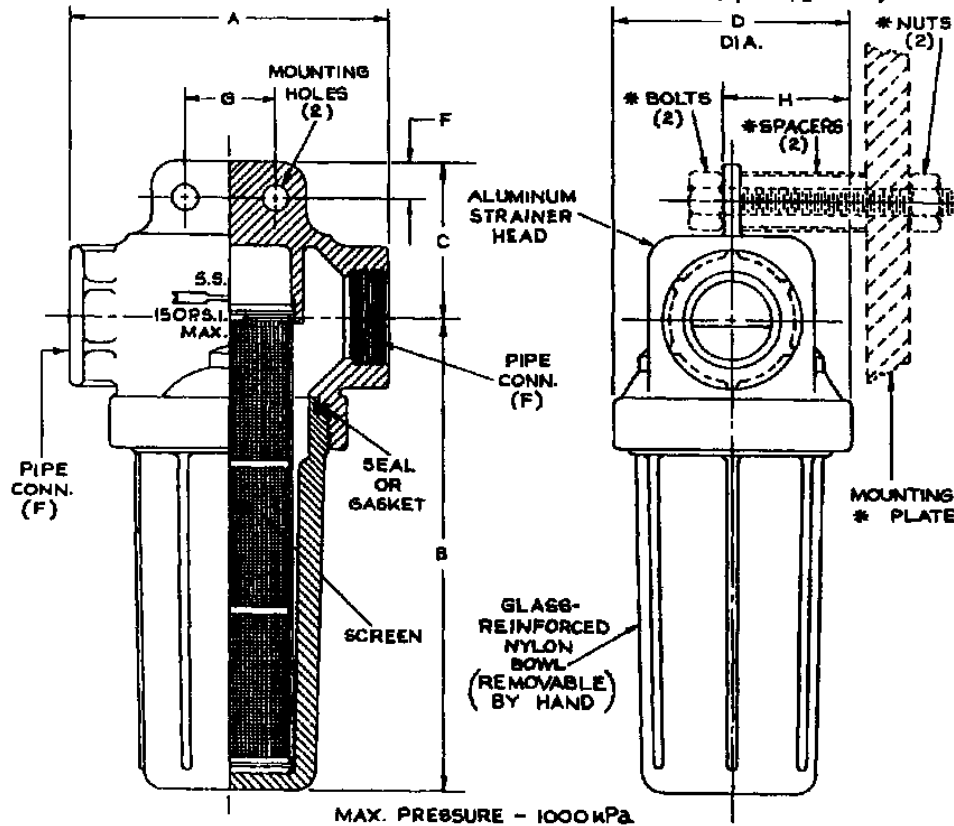


VITON O-RING SEAL IN THE 3/4" AND 1" SIZES.
 BUNA-N GASKETS IN THE 1/4", 1/2", 2" AND 2 1/2" SIZES.
 STAINLESS STEEL SCREEN (WITH POLYPROPYLENE FRAME FOR 3/4" TO 1 1/2" SIZES).



MAX. PRESSURE - 10000kPa

TABLE OF DIMENSIONS

STRAINER NO.	A mm	B mm	C mm	D DIA. mm	BOLT SIZE mm	F mm	G mm	H mm
PI24ML- 3/4 -AL	106	152	52	73	7.9	12.7	25.1	40
PI24ML- 1 -AL								
PI24ML- 1 1/4 -AL	131	203	62	102	9.6	13.5	38.1	56
PI24ML- 1 1/2 -AL								
PI24ML- 2 -AL	189	267	83	141	11.1	15.9	60.3	77
PI24ML- 2 1/2 -AL								

TABLE OF LIQUID STRAINERS - TYPE PI24 ML

STRAINER NO.	PIPE CONN. (F) B.S.P.P.	MESH		SCREEN NO.	FULL AREA CM ²	OPEN AREA		NET WEIGHT kg APPROX.	APPROX. FLOW RATE IN L/min WITH 35 kPa PRESSURE DROP
		SINGLE	DOUBLE REINFORCED			CM ²	TIMES INLET PIPE AREA		
PI24ML- 3/4 -AL	3/4	16	15903-1	109	55	55	10.1	0.45	87
		20	15903-2			50	9.1		
		30	15903-3			45	13.0		
		50	15903-4			33	9.6		
		80	15903-5			24	10.0		
		100	15903-6			32	8.6		
		200	15903-7			37	10.7		
PI24ML- 1 -AL	1	16	15903-1	109	55	55	9.9	0.45	129
		20	15903-2			50	9.1		
		30	15903-3			45	8.0		
		50	15903-4			33	8.9		
		80	15903-5			34	6.2		
		100	15903-6			32	5.9		
		200	15903-7			37	6.6		
PI24ML- 1 1/4 -AL	1 1/4	16	15941-1	264	134	134	13.9	1.1	230
		20	15941-2			108	11.2		
		50	15941-3			80	8.3		
		80	15941-4			83	8.6		
PI24ML- 1 1/2 -AL	1 1/2	16	15941-1	264	134	134	10.2	1.1	260
		20	15941-2			108	8.2		
		50	15941-3			80	6.1		
		80	15941-4			83	6.3		
PI24ML- 2 -AL	2	16	14634-1	587	297	297	13.7	3.2	610
		30	14634-2			239	11.0		
		60	14634-3			181	8.2		
		80	14634-4			187	6.5		
PI24ML- 2 1/2 -AL	2 1/2	16	14634-1	587	297	297	9.6	3.2	640
		30	14634-2			239	7.7		
		50	14634-3			181	5.7		
		80	14634-4			187	6.0		

HOW TO ORDER: SPECIFY STRAINER NO., MESH SIZE AND MATERIAL.

EXAMPLE: PI24ML-3/4-AL 16 ALUMINUM.

TO ORDER SCREEN ONLY, SPECIFY SCREEN NO.. EXAMPLE: 15941-1.

* - MOUNTING HARDWARE SUPPLIED BY CUSTOMER.

DESCRIPTION:

NO. PI24ML AL
 LIQUID STRAINERS
 (METRIC)



Spraying Systems Co.

Spray Nozzles and Accessories
 P.O. Box 7900 - Wheaton, IL 60189-7900

Rev. No.

Data Sheet No.

2022

Ref.

SHEET OF