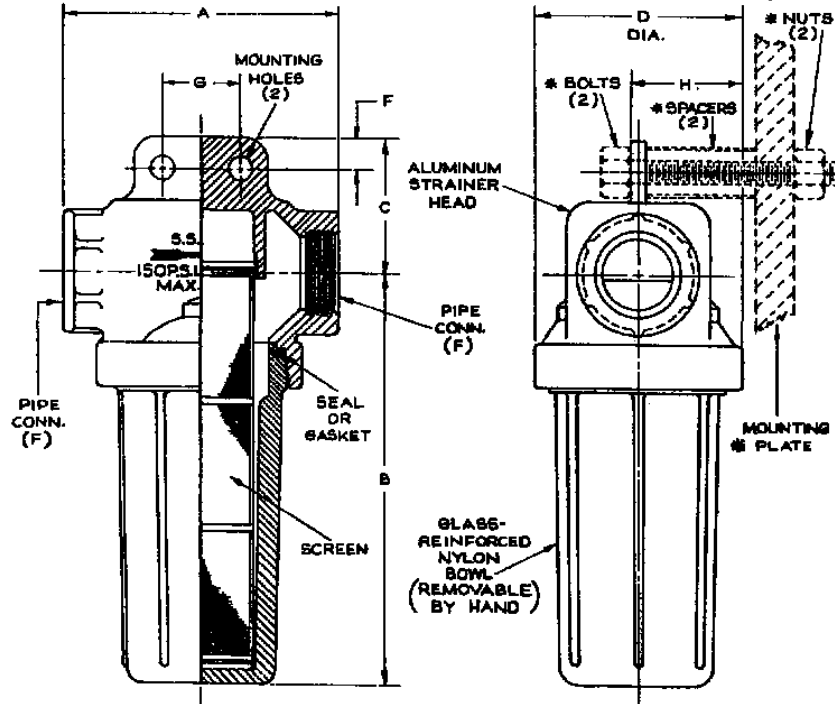


VITON O-RING SEAL IN THE 3/4" AND 1" SIZES.
 BUNA-N GASKETS IN THE 1/4", 1/2", 2" AND 2 1/2" SIZES.
 STAINLESS STEEL SCREEN (WITH POLYPROPYLENE FRAME FOR 3/4" TO 1/2" SIZES).



MAX. PRESSURE - 150 PS.I.

STRAINER NO.	PIPE CONN.	A	B	C	D DIA.	BOLT SIZE	F	G	H
124ML-3/4-AL	3/4"	4 3/16"	6"	2 1/16"	2 7/8"	5/16"	1/2"	1"	1 3/16"
124ML-1-AL	1"								
124ML-1 1/4-AL	1 1/4"	5 1/32"	8"	2 29/64"	4"	3/8"	17/32"	1 1/2"	2 3/16"
124ML-1 1/2-AL	1 1/2"								
124ML-2-AL	2"	7 7/16"	10 1/2"	3 1/4"	5 9/16"	7/16"	5/8"	2 3/8"	3 1/32"
124ML-2 1/2-AL	2 1/2"								

STRAINER NO.	PIPE CONN. (F) N.P.T.	SCREENS				NET WEIGHT LBS. APPROX.	APPROX. FLOW RATE IN G.P.M. WITH 5 PS.I. PRESSURE DROP	
		MESH	SCREEN NO.	FULL AREA SQ. IN.	OPEN AREA SQ. IN.			
124ML-3/4-AL	3/4"	16	15903-1	8.6	16.1	1 1/4	23	
		20	15903-2	7.8	14.7			
		30	15903-3	6.9	13.0			
		40	15903-4	6.1	9.6			
		50	15903-5	5.3	10.0			
		100	15903-6	5.1	9.6			
		200	15903-7	5.7	10.7			
124ML-1-AL	1"	16	15903-1	8.6	9.9	1 1/4	34	
		20	15903-2	7.8	9.1			
		30	15903-3	6.9	8.0			
		40	15903-4	6.1	8.3			
		50	15903-5	5.3	8.2			
		100	15903-6	5.1	7.9			
		200	15903-7	5.7	8.6			
124ML-1 1/4-AL	1 1/4"	16	15941-1	20.8	13.9	2 1/2	60	
		20	15941-2	18.7	11.2			
		30	15941-3	12.4	8.3			
		40	15941-4	12.9	8.6			
124ML-1 1/2-AL	1 1/2"	16	15941-1	41	20.8	10.2	2 1/2	70
		20	15941-2	14.7	8.2			
		30	15941-3	12.4	8.3			
		40	15941-4	12.9	8.3			
124ML-2-AL	2"	16	14634-1	46	13.7	6 1/4	160	
		20	14634-2	37	11.0			
		30	14634-3	28	8.2			
		40	14634-4	29	8.5			
124ML-2 1/2-AL	2 1/2"	16	14634-1	91	46	9.8	6 1/4	170
		20	14634-2	37	7.7			
		30	14634-3	28	5.7			
		40	14634-4	29	6.0			

HOW TO ORDER: SPECIFY STRAINER NO., MESH SIZE, MATERIAL.
 EXAMPLE: 124ML-3/4-AL 16 ALUMINUM.
 TO ORDER SCREEN ONLY, SPECIFY SCREEN NO. EXAMPLE: 15941

* - MOUNTING HARDWARE SUPPLIED BY CUSTOMER

DESCRIPTION:
 NO. 124ML AL LIQUID STRAINERS



Spraying Systems Co.

Spray Nozzles and Accessories
 P.O. Box 7900 - Wheaton, IL 60189-7900

Rev. No.

Data Sheet No.

19543

Ref.

SHEET OF