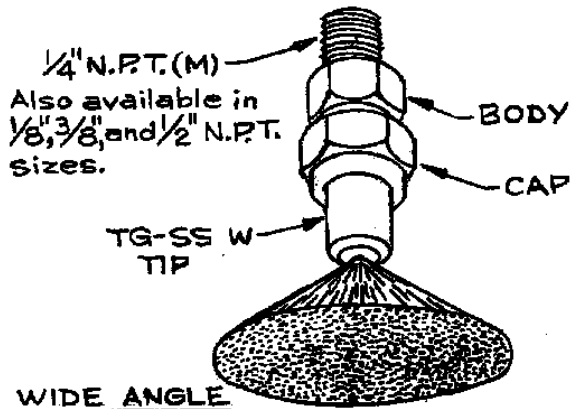
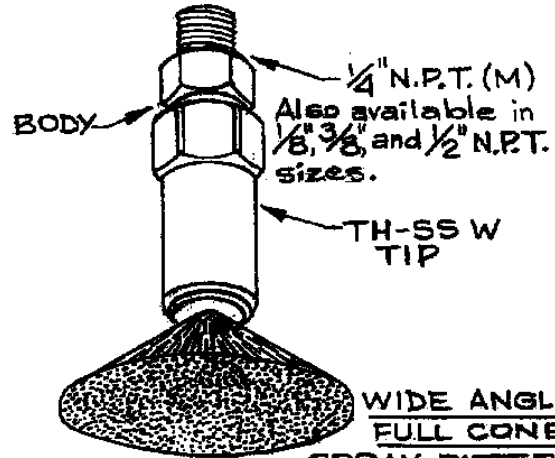


**UNIJET NOZZLE  
WITH TG-SS W TIPS**



**WIDE ANGLE  
FULL CONE  
SPRAY PATTERN**

**UNIJET NOZZLE  
WITH TH-SS W TIPS**



**WIDE ANGLE  
FULL CONE  
SPRAY PATTERN**

**MATERIAL- STAINLESS STEEL**

TIP NO.		CAPACITY GPM (Gallons per minute) AT PRESSURES PSI (lbs. per sq. inch)										SPRAY ANGLE			
TYPE	TYPE	5	7	10	15	20	30	40	60	80	5	10	40	80	
TG-SS W	TH-SS W	ps.i.	ps.i.	ps.i.	ps.i.	ps.i.	ps.i.	ps.i.	ps.i.	ps.i.	ps.i.	ps.i.	ps.i.	ps.i.	
TG-SS28W	TH-SS28W			.28	.33	.38	.45	.51	.61	.70		120°	120°	102°	
TG-SS43W	TH-SS43W			.43	.51	.58	.70	.79	.95	1.1		120°	120°	102°	
TG-SS56W	TH-SS56W		.48	.56	.67	.76	.91	1.0	1.2	1.4		120°	120°	102°	
TG-SS8W	TH-SS8W		.68	.80	.96	1.1	1.3	1.5	1.8	2.0		120°	120°	103°	
TG-SS10W	TH-SS10W	.74	.86	1.0	1.2	1.4	1.6	1.8	2.2	2.5	112°	120°	120°	103°	
TG-SS12W		.89	1.0	1.2	1.4	1.6	1.9	2.2	2.6	3.0	114°	120°	120°	103°	
	TH-SS14W	1.0	1.2	1.4	1.7	1.9	2.3	2.6	3.1	3.5	114°	120°	120°	103°	
	TH-SS17W	1.3	1.5	1.7	2.0	2.3	2.8	3.1	3.7	4.2	114°	120°	120°	103°	
	TH-SS20W	1.5	1.7	2.0	2.4	2.7	3.2	3.7	4.4	5.0	114°	120°	121°	104°	
	TH-SS24W	1.8	2.1	2.4	2.9	3.3	3.9	4.4	5.3	6.0	114°	120°	121°	104°	
	TH-SS27W	2.0	2.3	2.7	3.2	3.7	4.4	5.0	5.9	6.7	114°	120°	121°	106°	
	TH-SS30W	2.2	2.6	3.0	3.6	4.1	4.9	5.5	6.6	7.5	114°	120°	121°	108°	
	TH-SS35W	2.6	3.0	3.5	4.2	4.8	5.7	6.4	7.7	8.7	114°	120°	121°	108°	

TABULATION IS BASED ON SPRAYING WATER AT TEMPERATURE OF 70°

**DESCRIPTION:**

UNIJET®  
SPRAY NOZZLES  
WITH  
WIDE ANGLE FULL CONE  
SPRAY TIPS



**Spraying Systems Co.®**

Spray Nozzles and Accessories  
P.O. Box 7900 - Wheaton, Il. 60189-7900

Rev. No.

Data Sheet No.

**18197**

Ref.

SHEET OF