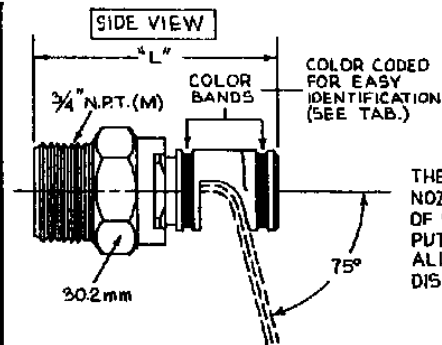


| COMPLETE NOZZLE NO. | TIP SUB-ASSEMBLY NO. | COLOR CODE    | LIQUID PRESSURE kPa | CAPACITY L/min | LITERS PER HECTARE<br>BASED ON WATER - 100cm NOZZLE SPACING |       |      |      |      |      |      |      |      |      |
|---------------------|----------------------|---------------|---------------------|----------------|---|-------|------|------|------|------|------|------|------|------|
|                     |                      |               |                     |                | 6   | 8     | 10   | 12   | 14   | 16   | 18   | 22   | 32   |      |
|                     |                      |               |                     |                | km/h  | km/h  | km/h | km/h | km/h | km/h | km/h | km/h | km/h | km/h |
| 3/4 KQT-PPNY 50     | 16130-NY-50          | WHITE BROWN   | 100                 | 22.8           | 2280  | 1710  | 1370 | 1140 | 980  | 850  | 760  | 620  | 430  |      |
|                     |                      |               | 150                 | 27.9           | 2790  | 2090  | 1670 | 1400 | 1200 | 1050 | 930  | 760  | 520  |      |
|                     |                      |               | 200                 | 32.2           | 3220  | 2420  | 1930 | 1610 | 1380 | 1210 | 1070 | 880  | 600  |      |
|                     |                      |               | 250                 | 36.0           | 3600  | 2700  | 2160 | 1800 | 1540 | 1350 | 1200 | 980  | 680  |      |
| 3/4 KQT-PPNY 60     | 16130-NY-60          | WHITE ORANGE  | 100                 | 27.4           | 2730  | 2050  | 1640 | 1370 | 1170 | 1030 | 910  | 750  | 510  |      |
|                     |                      |               | 150                 | 33.8           | 3350  | 2510  | 2010 | 1670 | 1440 | 1260 | 1120 | 910  | 630  |      |
|                     |                      |               | 200                 | 38.7           | 3870  | 2900  | 2320 | 1930 | 1660 | 1450 | 1290 | 1050 | 730  |      |
|                     |                      |               | 250                 | 43.2           | 4320  | 3240  | 2590 | 2160 | 1850 | 1620 | 1440 | 1180 | 810  |      |
| 3/4 KQT-PPNY 70     | 16130-NY-70          | BLUE BLUE     | 100                 | 31.9           | 3190  | 2390  | 1910 | 1600 | 1370 | 1200 | 1060 | 870  | 600  |      |
|                     |                      |               | 150                 | 39.1           | 3910  | 2930  | 2340 | 1950 | 1670 | 1470 | 1300 | 1070 | 730  |      |
|                     |                      |               | 200                 | 45.1           | 4510  | 3380  | 2710 | 2260 | 1930 | 1690 | 1500 | 1230 | 850  |      |
|                     |                      |               | 250                 | 50.5           | 5050  | 3780  | 3030 | 2520 | 2160 | 1890 | 1680 | 1380 | 950  |      |
| 3/4 KQT-PPNY 80     | 16130-NY-80          | BLUE GREEN    | 100                 | 36.5           | 3650  | 2730  | 2190 | 1820 | 1560 | 1370 | 1220 | 990  | 680  |      |
|                     |                      |               | 150                 | 44.7           | 4470  | 3350  | 2680 | 2230 | 1910 | 1670 | 1490 | 1220 | 840  |      |
|                     |                      |               | 200                 | 51.6           | 5160  | 3870  | 3090 | 2580 | 2210 | 1930 | 1720 | 1410 | 970  |      |
|                     |                      |               | 250                 | 57.7           | 5770  | 4320  | 3460 | 2880 | 2470 | 2160 | 1920 | 1570 | 1080 |      |
| 3/4 KQT-PPNY 90     | 16130-NY-90          | BLUE YELLOW   | 100                 | 41.0           | 4100  | 3080  | 2460 | 2050 | 1760 | 1540 | 1370 | 1120 | 770  |      |
|                     |                      |               | 150                 | 50.2           | 5020  | 3700  | 3010 | 2510 | 2150 | 1880 | 1670 | 1370 | 940  |      |
|                     |                      |               | 200                 | 58.0           | 5800  | 4350  | 3480 | 2900 | 2490 | 2180 | 1930 | 1580 | 1090 |      |
|                     |                      |               | 250                 | 64.9           | 6490  | 4860  | 3890 | 3240 | 2780 | 2430 | 2160 | 1770 | 1220 |      |
| 3/4 KQT-PPNY 100    | 16130-NY-100         | BLUE BROWN    | 100                 | 46.6           | 4660  | 3420  | 2730 | 2280 | 1950 | 1710 | 1520 | 1240 | 850  |      |
|                     |                      |               | 150                 | 55.8           | 5580  | 4190  | 3350 | 2790 | 2390 | 2090 | 1860 | 1520 | 1050 |      |
|                     |                      |               | 200                 | 64.5           | 6450  | 4830  | 3870 | 3220 | 2760 | 2420 | 2150 | 1760 | 1210 |      |
|                     |                      |               | 250                 | 72.1           | 7210  | 5410  | 4320 | 3600 | 3090 | 2700 | 2400 | 1970 | 1350 |      |
| 3/4 KQT-PPNY 110    | 16130-NY-110         | BLUE ORANGE   | 100                 | 50.1           | 5010  | 3760  | 3010 | 2510 | 2150 | 1880 | 1670 | 1370 | 940  |      |
|                     |                      |               | 150                 | 61.4           | 6140  | 4610  | 3680 | 3070 | 2630 | 2300 | 2050 | 1670 | 1150 |      |
|                     |                      |               | 200                 | 70.9           | 7090  | 5320  | 4250 | 3550 | 3040 | 2660 | 2360 | 1930 | 1330 |      |
|                     |                      |               | 250                 | 79.3           | 7930  | 5950  | 4760 | 3960 | 3400 | 2970 | 2640 | 2160 | 1490 |      |
| 3/4 KQT-PPNY 120    | 16130-NY-120         | YELLOW YELLOW | 100                 | 54.7           | 5470  | 4100  | 3280 | 2730 | 2340 | 2050 | 1820 | 1490 | 1030 |      |
|                     |                      |               | 150                 | 67.0           | 6700  | 5020  | 4020 | 3350 | 2870 | 2510 | 2230 | 1830 | 1260 |      |
|                     |                      |               | 200                 | 77.4           | 7740  | 5800  | 4640 | 3870 | 3320 | 2900 | 2580 | 2110 | 1450 |      |
|                     |                      |               | 250                 | 86.5           | 8650  | 6490  | 5190 | 4320 | 3710 | 3240 | 2880 | 2360 | 1620 |      |
| 3/4 KQT-PPNY 140    | 16130-NY-140         | YELLOW GREEN  | 100                 | 63.8           | 6380  | 4790  | 3830 | 3190 | 2730 | 2390 | 2130 | 1740 | 1200 |      |
|                     |                      |               | 150                 | 78.2           | 7820  | 5860  | 4690 | 3910 | 3350 | 2930 | 2610 | 2130 | 1470 |      |
|                     |                      |               | 200                 | 90.2           | 9020  | 6770  | 5410 | 4510 | 3870 | 3380 | 3010 | 2460 | 1690 |      |
|                     |                      |               | 250                 | 101            | 10090   | 7570  | 6050 | 5050 | 4320 | 3780 | 3360 | 2750 | 1890 |      |
| 3/4 KQT-PPNY 160    | 16130-NY-160         | YELLOW BROWN  | 100                 | 73             | 7290  | 5470  | 4380 | 3650 | 3190 | 2730 | 2430 | 1990 | 1370 |      |
|                     |                      |               | 150                 | 89             | 8930  | 6700  | 5360 | 4470 | 3850 | 3350 | 2980 | 2440 | 1670 |      |
|                     |                      |               | 200                 | 103            | 10310   | 7740  | 6190 | 5160 | 4420 | 3870 | 3440 | 2810 | 1930 |      |
|                     |                      |               | 250                 | 115            | 11530   | 8650  | 6920 | 5770 | 4940 | 4320 | 3840 | 3140 | 2160 |      |
| 3/4 KQT-PPNY 180    | 16130-NY-180         | YELLOW ORANGE | 100                 | 82             | 8200  | 6150  | 4920 | 4100 | 3520 | 3080 | 2730 | 2240 | 1540 |      |
|                     |                      |               | 150                 | 100            | 10050   | 7540  | 6030 | 5020 | 4310 | 3770 | 3350 | 2740 | 1880 |      |
|                     |                      |               | 200                 | 116            | 11600   | 8700  | 6960 | 5800 | 4970 | 4350 | 3870 | 3160 | 2180 |      |
|                     |                      |               | 250                 | 130            | 12970   | 9730  | 7780 | 6490 | 5560 | 4860 | 4320 | 3540 | 2430 |      |
| 3/4 KQT-PPNY 210    | 16130-NY-210         | ORANGE ORANGE | 100                 | 96             | 9570  | 7180  | 5740 | 4790 | 4100 | 3590 | 3190 | 2610 | 1790 |      |
|                     |                      |               | 150                 | 117            | 11720   | 8790  | 7030 | 5860 | 5020 | 4400 | 3910 | 3200 | 2200 |      |
|                     |                      |               | 200                 | 135            | 13540   | 10150 | 8120 | 6770 | 5800 | 5080 | 4510 | 3690 | 2540 |      |
|                     |                      |               | 250                 | 151            | 15140   | 11350 | 9080 | 7570 | 6490 | 5680 | 5050 | 4190 | 2840 |      |

TABULATION IS BASED ON SPRAYING WATER AT TEMPERATURE OF 21°C

NO.1001-NY BLANK PLUG TIP SUB-ASSEMBLY IS ALSO AVAILABLE TO SHUT-OFF INDIVIDUAL NOZZLES.....EASY, QUICK WAY TO CHANGE SPACING OF OPERATING NOZZLES ON BOOM.

SEE DATA SHEET 17933-1 FOR OTHER SIZES



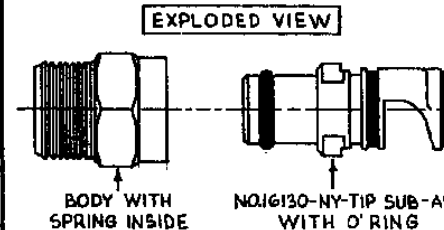
| NOZZLE NO.               | "L"  |
|--------------------------|------|
| 3/4 KQT-PPNY-10THRU--27  | 64mm |
| 3/4 KQT-PPNY-30THRU--100 | 67mm |
| 3/4 KQT-PPNY-10THRU--210 | 73mm |

THE 3/4 KQT-QUICKJET FLOODJET NOZZLES PERMIT QUICK CHANGING OF SPRAY TIPS AND AUTOMATICALLY PUTS SPRAY PATTERN IN EXACT ALIGNMENT AFTER EACH NOZZLE DISASSEMBLY.

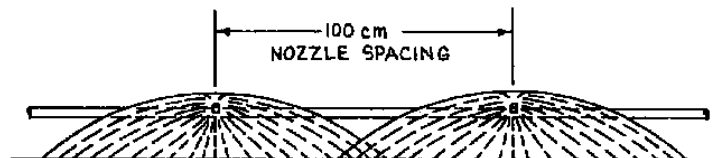
**MATERIAL**

TIP IS MADE OF CORROSION RESISTANT GLASS-REINFORCED NYLON WITH VITON O-RING. BODY IS GLASS-REINFORCED POLYPROPYLENE AND TYPE 302 STAINLESS STEEL SPRING.

BODY IS ALSO AVAILABLE MADE OF BRASS OR STAINLESS STEEL.



TO REMOVE OR REPLACE SPRAY TIPS SIMPLY PUSH AND TWIST IN OR OUT OF LOCKING GROOVES IN BODY. ALL SPRAY TIPS ARE INTERCHANGEABLE.



SPRAY COVERAGE CAN BE VARIED BY RAISING OR LOWERING BOOM - AND BY ROTATING BOOM.

**DESCRIPTION:**

LITERS PER HECTARE USING 3/4KQT-PPNY-QUICKJET FLOODJET NOZZLES BASED ON WATER AND 100 cm SPACING



**Spraying Systems Co.**

Spray Nozzles and Accessories  
P.O. Box 7900 - Wheaton, IL 60189-7900

Rev. No.

Data Sheet No.

17933-2

Ref.

SHEET OF