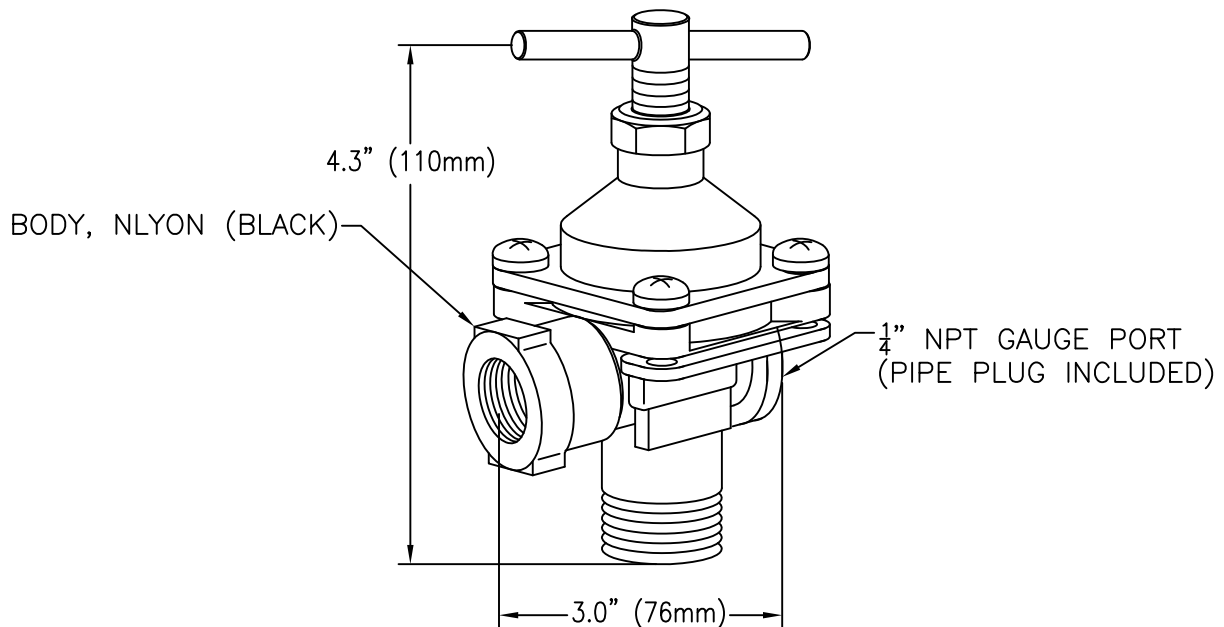


12690 THROTTLING VALVE

THE 12690 THROTTLING VALVES ARE GENERALLY USED FOR METERING FLOW ON SYSTEMS EQUIPPED WITH NON-POSITIVE PUMPS OR FOR OTHER APPLICATIONS WHERE METERING OF FLOW IS REQUIRED. CAN ALSO BE USED FOR CONTROLLING FLOW IN AGITATION AND RETURN LINES.



FEATURES:

- MAXIMUM RECOMMENDED OPERATING PRESSURE - 125 PSI (9 BAR).
- STEM LOCKNUT ALLOWS FLOW RATE SETTING TO BE MAINTAINED.
- LONG, TAPERED SEAT PROVIDES SMOOTH FLOW RATE ADJUSTMENT.
- EASY SERVICEABILITY, ALL PARTS CAN BE REMOVED FROM BODY WITHOUT REMOVING CONNECTING PIPE.
- NYLON SEATING SURFACE OFFERS LONG WEAR LIFE AND POSITIVE SHUT-OFF.
- WETTED MATERIALS: NYLON, ACETAL, VITON, STAINLESS STEEL AND STEEL.

| THROTTLING VALVE NO. | INLET CONN. NPT(M) | OUTLET CONN. NPT(F) | FLOW RATE IN GPM (IN FULLY OPEN SETTING) | | | | | | |
|----------------------|--------------------|---------------------|--|--------|--------|--------|--------|--------|---------|
| | | | 10 PSI | 20 PSI | 30 PSI | 40 PSI | 60 PSI | 80 PSI | 100 PSI |
| 12690-1/2-NYB | 1/2" | 1/2" | 18 | 26 | 32 | 36 | 44 | 50 | 56 |
| 12690-3/4-NYB | 3/4" | 3/4" | 26 | 37 | 45 | 52 | 64 | 74 | 82 |

| THROTTLING VALVE NO. | INLET CONN. NPT(M) | OUTLET CONN. NPT(F) | FLOW RATE IN l/min (IN FULLY OPEN SETTING) | | | | | | |
|----------------------|--------------------|---------------------|--|---------|---------|---------|---------|---------|---------|
| | | | 1.0 BAR | 1.5 BAR | 2.0 BAR | 2.5 BAR | 3.0 BAR | 5.0 BAR | 7.0 BAR |
| 12690-1/2-NYB | 1/2" | 1/2" | 82 | 100 | 116 | 130 | 142 | 183 | 220 |
| 12690-3/4-NYB | 3/4" | 3/4" | 118 | 145 | 167 | 187 | 205 | 265 | 310 |

DESCRIPTION:

12690-1/2-NYB &
12690-3/4-NYB
THROTTLING VALVES



Spraying Systems Co.[®]

Spray Nozzles and Accessories
P.O. Box 7900 - Wheaton, IL 60189-7900

Rev. No.

Ref.

DATA SHEET

12690

SHEET OF