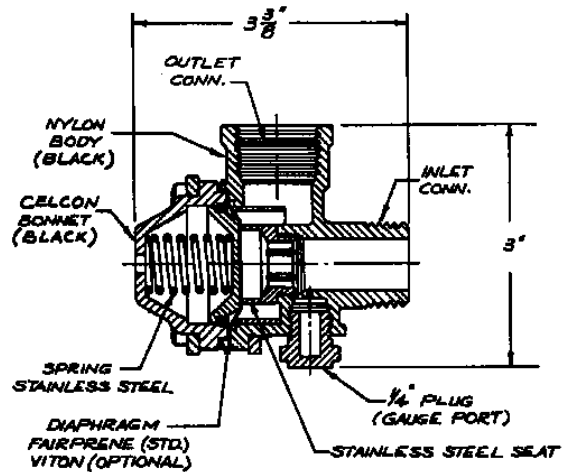
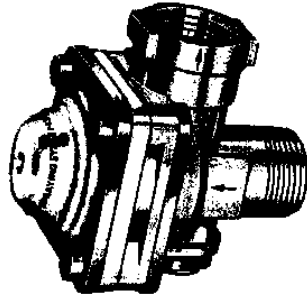


NO. 12328 LARGE CAPACITY DIAPHRAGM CHECK VALVES

THE 12328 CHECK VALVES ARE DESIGNED FOR USE WITH LARGE CAPACITY SPRAY NOZZLES — SUCH AS FIELDJETS AND FLOODJETS, IN APPLYING FERTILIZER SOLUTIONS AND OTHER CHEMICALS. PROVIDE QUICK SPRAY SHUT-OFF WHEN LINE PRESSURE IS SHUT-OFF, THEREBY PREVENTING LINE FROM DRAINING.



PATENT NO. 2,635,134

MATERIAL CONSTRUCTION — NYLON AND STAINLESS STEEL

DIAPHRAGM CHECK VALVE NO.	INLET CONN. N.P.T.(M)	OUTLET CONN. N.P.T.(F)
12328-1/2-NYB	1/2"	1/2"
12328-3/4-NYB	3/4"	3/4"

STANDARD OPENING PRESSURE — 7 P.S.I. (APPROX.)

MAXIMUM RECOMMENDED OPERATING PRESSURE — 125 P.S.I.

THE 12328 CHECK VALVES ARE ALSO AVAILABLE WITH INLET BODIES OF BRASS OR ALUMINUM ON SPECIAL ORDER BASIS.

FLOW RATE, G.P.M. →	5	7	10	15	20	25	30
PRESSURE DROP, P.S.I. FOR 12328-1/2-NYB →	1.0	1.8	3.6	8.2	14.4	23	33
PRESSURE DROP, P.S.I. FOR 12328-3/4-NYB →	0.5	0.9	1.9	4.3	7.7	12	17

DESCRIPTION:

NO. 12328-LARGE CAPACITY DIAPHRAGM CHECK VALVES



Spraying Systems Co.®

Spray Nozzles and Accessories
P.O. Box 7900 - Wheaton, Il. 60189-7900

Rev. No.

Data Sheet No.

12527

Ref.

SHEET OF