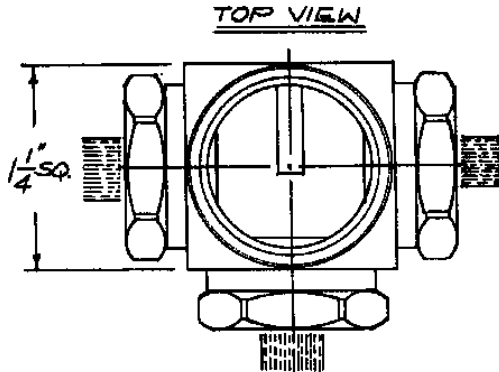
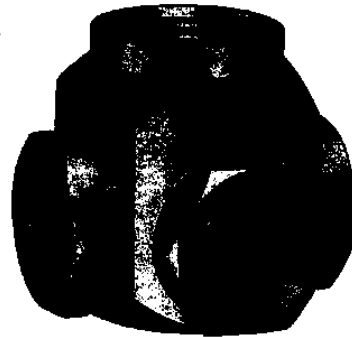
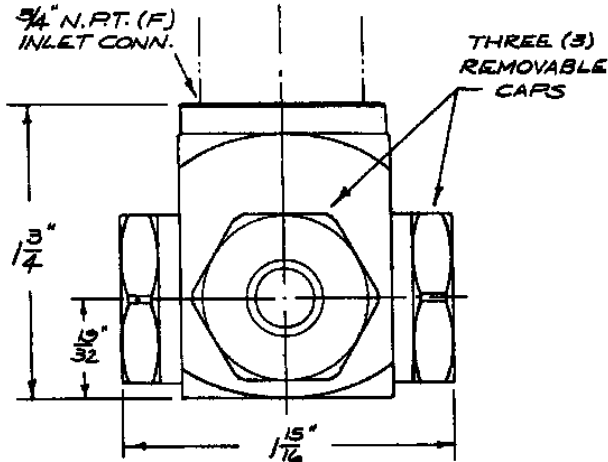


NO. 12381 LARGE CAPACITY JET AGITATOR



JET AGITATORS ARE DESIGNED FOR KEEPING WETTABLE POWDERS IN PROPER SUSPENSION DURING SPRAYING APPLICATIONS. THEY ARE ATTACHED TO THE END OF A SEPARATE AGITATOR RETURN LINE AT THE BOTTOM OF THE SPRAY TANK. THREE SOLID STREAMS ARE EMITTED AT 90° SPACINGS, THEREBY SETTING UP A CONTINUOUS TURBULENT LIQUID MOVEMENT WHICH KEEPS THE POWDER IN UNIFORM SUSPENSION.

MATERIAL — BRASS OR STAINLESS STEEL



SIDE VIEW

WILL PASS THRU 2 3/16" DIA. BUNG HOLE

JET AGITATOR NO.	CAP NO.	CAP ORIFICE DIA.	CAPACITY G.P.M. (Gallons Per Minute) AT PRESSURE P.S.I. (Lbs. Per Square Inch)					
			10	15	20	30	40	50
12381 - 25	1251 - 25	1/4"	16.2	23	24	28	32	36
12381 - 30	1251 - 30	19/64"	22	27	32	39	45	50
12381 - 40	1251 - 40	23/64"	31	38	44	54	62	69
12381 - 50	1251 - 50	7/16"	41	50	57	70	81	90

TABULATION IS BASED ON WATER AT TEMPERATURE OF 70° F.  
FOR OTHER JET AGITATORS AND FARM SPRAY ITEMS SEE AG CATALOG.

**DESCRIPTION:**  
NO. 12381 LARGE CAPACITY  
JET AGITATORS



**Spraying Systems Co.®**

Spray Nozzles and Accessories  
P.O. Box 7900 - Wheaton, Il. 60189-7900

Rev. No.

Data Sheet No.

**12501**

Ref.

SHEET OF