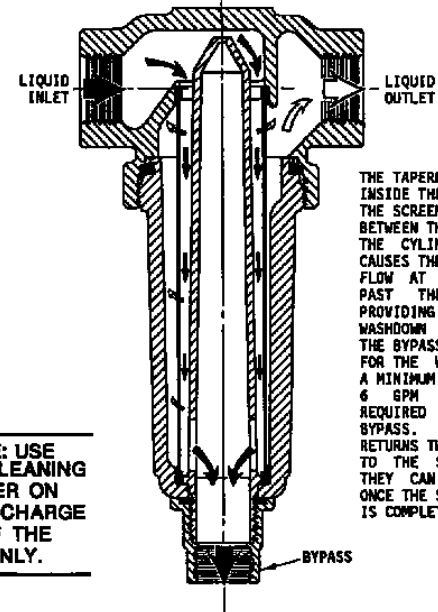


MAXIMUM RECOMMENDED PRESSURE - 150 P.S.I. (10 bar)

LIQUID FLOW DIAGRAM



NOTE: USE SELF-CLEANING STRAINER ON THE DISCHARGE SIDE OF THE PUMP ONLY.

THE TAPERED INNER CYLINDER INSIDE THE ENTIRE LENGTH OF THE SCREEN PROVIDES A GAP BETWEEN THE SCREEN FACE AND THE CYLINDER. THIS GAP CAUSES THE INLET FLUID TO FLOW AT A HIGH VELOCITY PAST THE SCREEN FACE PROVIDING FOR A CONTINUOUS WASHDOWN OF PARTICLES TO THE BYPASS LINE. IN ORDER FOR THE WASHDOWN TO OCCUR, A MINIMUM FLOW RATE OF 6 GPM (23 l/min.) IS REQUIRED THROUGH THE BYPASS. THE BYPASS LINE RETURNS THE PARTICLES BACK TO THE SOURCE TANK WHERE THEY CAN BE CLEANED OUT ONCE THE SPRAYING OPERATION IS COMPLETE.

STRAINER NO.	PIPE CONN. (FEMALE)	BYPASS CONN. (FEMALE)	SCREENS				NET WEIGHT
			MESH SIZE	OPENING	COLOR CODE	FULL AREA	
AA124A-3/4SC-AL	3/4" N.P.T.	1/2" N.P.T.	16	.045" (1.1 mm)	NONE	17 sq. IN.	20 OZ. (0.56 kg)
AA124A-1SC-AL	1" N.P.T.		30	.021" (0.53 mm)	YELLOW	(109 cm ²)	
AAB124A-3/4SC-AL	3/4" B.S.P.T.	1/2" B.S.P.T.	50	.011" (0.28 mm)	RED		
AAB124A-1SC-AL	1" B.S.P.T.		80	.007" (0.18 mm)	BLUE		

DESCRIPTION:

AA124A-3/4SC-AL AND
AA124A-1SC-AL
SELF CLEANING
LIQUID STRAINERS



Spraying Systems Co.

Spray Nozzles and Accessories
P.O. Box 7900 - Wheaton, IL 60189-7900

Rev. No.

Data Sheet No.

Ref.

124A-SC-AL
SHEET OF