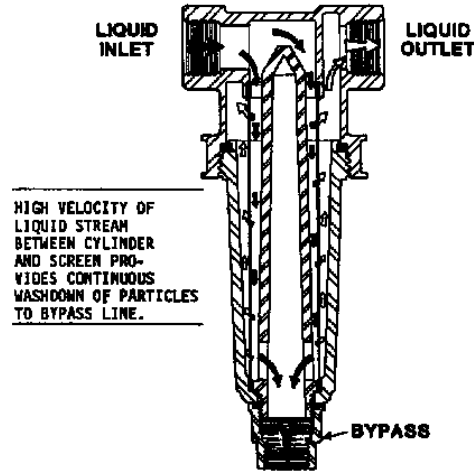
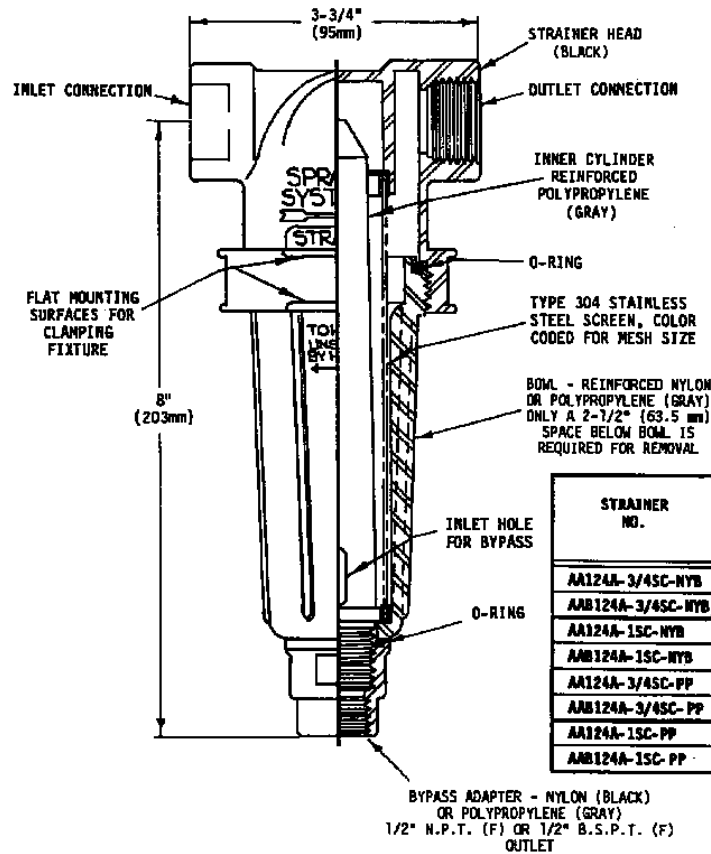


LIQUID FLOW DIAGRAM




THE TAPERED INNER CYLINDER INSIDE THE ENTIRE LENGTH OF THE SCREEN PROVIDES A GAP BETWEEN THE SCREEN FACE AND THE CYLINDER. THIS GAP CAUSES THE INLET FLUID TO FLOW AT A HIGH VELOCITY PAST THE SCREEN FACE PROVIDING FOR A CONTINUOUS WASHDOWN OF PARTICLES TO THE BYPASS LINE. IN ORDER FOR THE WASHDOWN TO OCCUR, A MINIMUM FLOW RATE OF 6 GPM IS REQUIRED THROUGH THE BYPASS. THE BYPASS LINE RETURNS THE PARTICLES BACK TO THE SOURCE TANK WHERE THEY CAN BE CLEANED OUT ONCE THE SPRAYING OPERATION IS COMPLETE.



STRAINER NO.	PIPE CONN. (FEMALE)	MATERIAL		SCREENS				NET WEIGHT	MAXIMUM RECOMMENDED PRESSURE AT 100°F (38°C)
		STRAINER HEAD, BOWL & BYPASS ADAPTER	O'RINGS	MESH SIZE	OPENING	COLOR CODE	FULL AREA		
AA124A-3/4SC-NYB	3/4" N.P.T.	REINFORCED NYLON	VITON	16	.045" (1.1mm)	None	17 SQ. IN. (109 cm ²)	11.6 oz. (326g)	110 psi (7.6 Bar)
AA124A-3/4SC-NYB	3/4" B.S.P.T.			30	.021" (0.53mm)	Yellow			
AA124A-1SC-NYB	1" N.P.T.			50	.011" (0.28mm)	Red			
AA124A-1SC-NYB	1" B.S.P.T.			80	.007" (0.18mm)	Blue			
AA124A-3/4SC-PP	3/4" N.P.T.	REINFORCED POLYPROPYLENE	EPDM RUBBER	16	.045" (1.1mm)	None	17 SQ. IN. (109 cm ²)	9.5 oz. (269g)	75 psi (5.2 Bar)
AA124A-3/4SC-PP	3/4" B.S.P.T.			30	.021" (0.53mm)	Yellow			
AA124A-1SC-PP	1" N.P.T.			50	.011" (0.28mm)	Red			
AA124A-1SC-PP	1" B.S.P.T.			80	.007" (0.18mm)	Blue			

NOTE: USE SELF-CLEANING STRAINER ON THE DISCHARGE SIDE OF THE PUMP ONLY.

DESCRIPTION:
AA124A-3/4SC- & AA124A-1SC-
SELF-CLEANING LIQUID STRAINERS



Spraying Systems Co.
Spray Nozzles and Accessories
P.O. Box 7900 - Wheaton, IL 60189-7900

Rev. No. 2	Data Sheet No.
Ref.	124A-SC
	SHEET OF