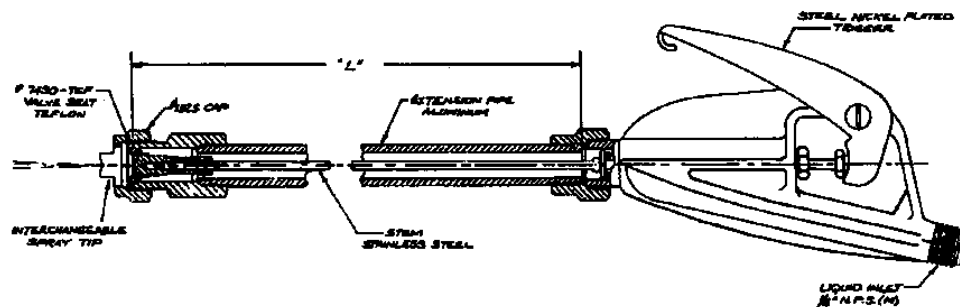


GUNJET NO.	EXTENSION NO.	"L" EXTENSION LENGTH	STEM NO.
31-12090-8	12086-8	8"	12091-8
31-12090-18	12086-18	18"	12091-18
31-12090-24	12086-24	24"	12091-24
31-12090-36	12086-36	36"	12091-36



**MATERIAL CONSTRUCTION - BRASS WITH ALUMINUM EXTENSION PIPE**

- FOR SPRAYING HARD TO REACH AREAS AT PRESSURES UP TO 500 P.S.I.
- VALVE SEAT IS POSITIONED DIRECTLY BEHIND THE SPRAY TIP PROVIDING QUICK DRIP-FREE SHUT-OFF.
- GUNJET PACKING AND VALVE SEAT MADE OF TEFLON.
- CHOICE OF EXTENSION LENGTHS.
- LIGHT WEIGHT COMBINED WITH DURABLE CONSTRUCTION.



**FOR INTERCHANGEABLE SPRAY TIPS SEE INDUSTRIAL CATALOG.**

DESCRIPTION:  
E31-12090--  
GUNJET WITH EXTENSION



**Spraying Systems Co.**

Spray Nozzles and Accessories  
P.O. Box 7900 - Wheaton, Il. 60189-7900

Rev. No.

Data Sheet No.

12092

Ref.

SHEET OF