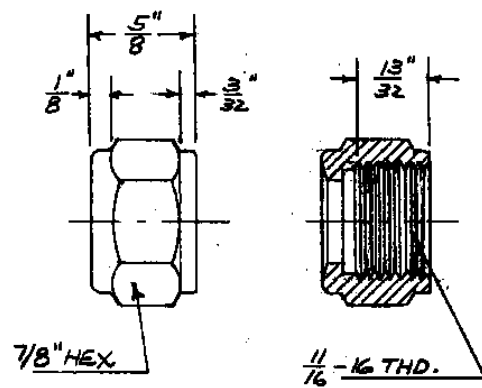


8027 CAP
(STANDARD)



8027-1 CAP
(OPTIONAL)

MATERIAL — NYLON

DESCRIPTION:
NO. 8027 — NYLON CAPS
FOR TEEJET NOZZLES



Spraying Systems Co.[®]

Spray Nozzles and Accessories
P.O. Box 7900 - Wheaton, Il. 60189-7900

Rev. No.

Data Sheet No.

11828

Ref.

SHEET OF