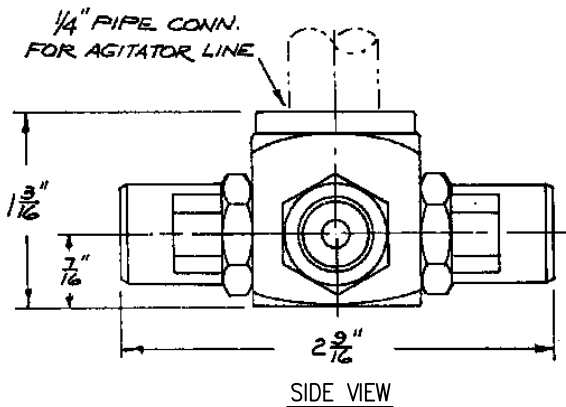
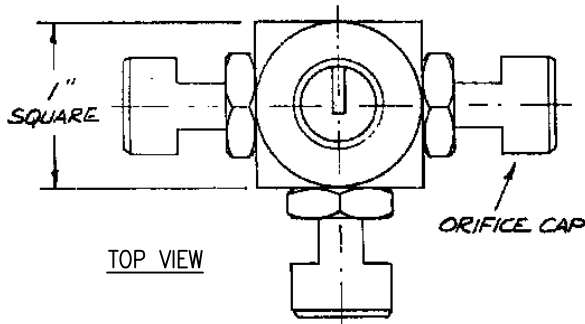
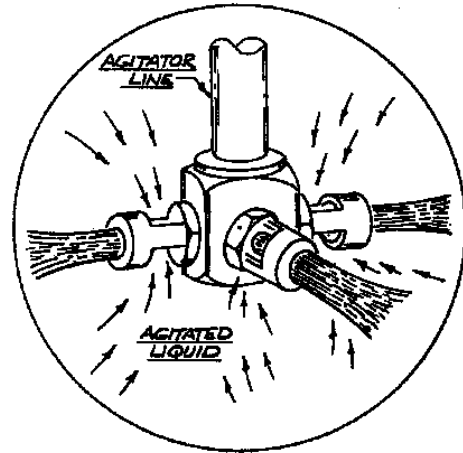


MATERIAL CONSTRUCTION - BRASS



THE AGITATOR CAN BE INSERTED INTO A 2" PIPE THREAD BUNG HOLE BY TILTING AND EASING THROUGH.



THE SIPHON - CAPS INCREASE THE VOLUME OF LIQUID AGITATION-THEREBY PROVIDING UNIFORMLY CORRECT CHEMICAL DISTRIBUTION TO THE SPRAY LINES. PREVENT SETTLING OUT OF POWDER SUSPENSIONS.

JET AGITATOR NO.	ORIFICE CAP NO.	ORIFICE CAP INLET DIA.	CAPACITY (G.P.M.) THRU AGITATOR LINE AT VARIOUS PRESSURES							
			50 P.S.I.	100 P.S.I.	150 P.S.I.	200 P.S.I.	250 P.S.I.	300 P.S.I.	350 P.S.I.	400 P.S.I.
6290-SC-1	SC-1	.055"	1.8	2.5	3.1	3.5	3.9	4.3	4.6	4.9
6290-SC-2	SC-2	.086"	4.3	6.1	7.4	8.5	9.6	10.4	11.3	12.1
6290-SC-3	SC-3	.096"	5.3	7.4	9.1	10.5	11.8	12.9	14	15
6290-SC-5	SC-5	.144"	9.9	14	17.2	20	22	24	26	28
6290-SC-8	SC-8	.156"	11.4	16.2	20	23	26	28	31	33
6290-SC-10	SC-10	.177"	12.7	18.1	22	26	29	32	34	36

TABULATION IS BASED ON WATER AT TEMPERATURE OF 70°.

THE TOTAL LIQUID CIRCULATED THRU THE JET AGITATOR IS APPROXIMATELY THREE (3) TIMES THE ABOVE TABULATED VALUES.

FOR LOWER PRESSURES SEE DATA SHEET NO. 6290-SC.

DESCRIPTION:

NO. 6290-SC- JET AGITATOR WITH SIPHON CAPS



Spraying Systems Co.®

Spray Nozzles and Accessories
P.O. Box 7900 - Wheaton, Il. 60189-7900

Rev. No.

Data Sheet No.

11317

Ref.

SHEET OF