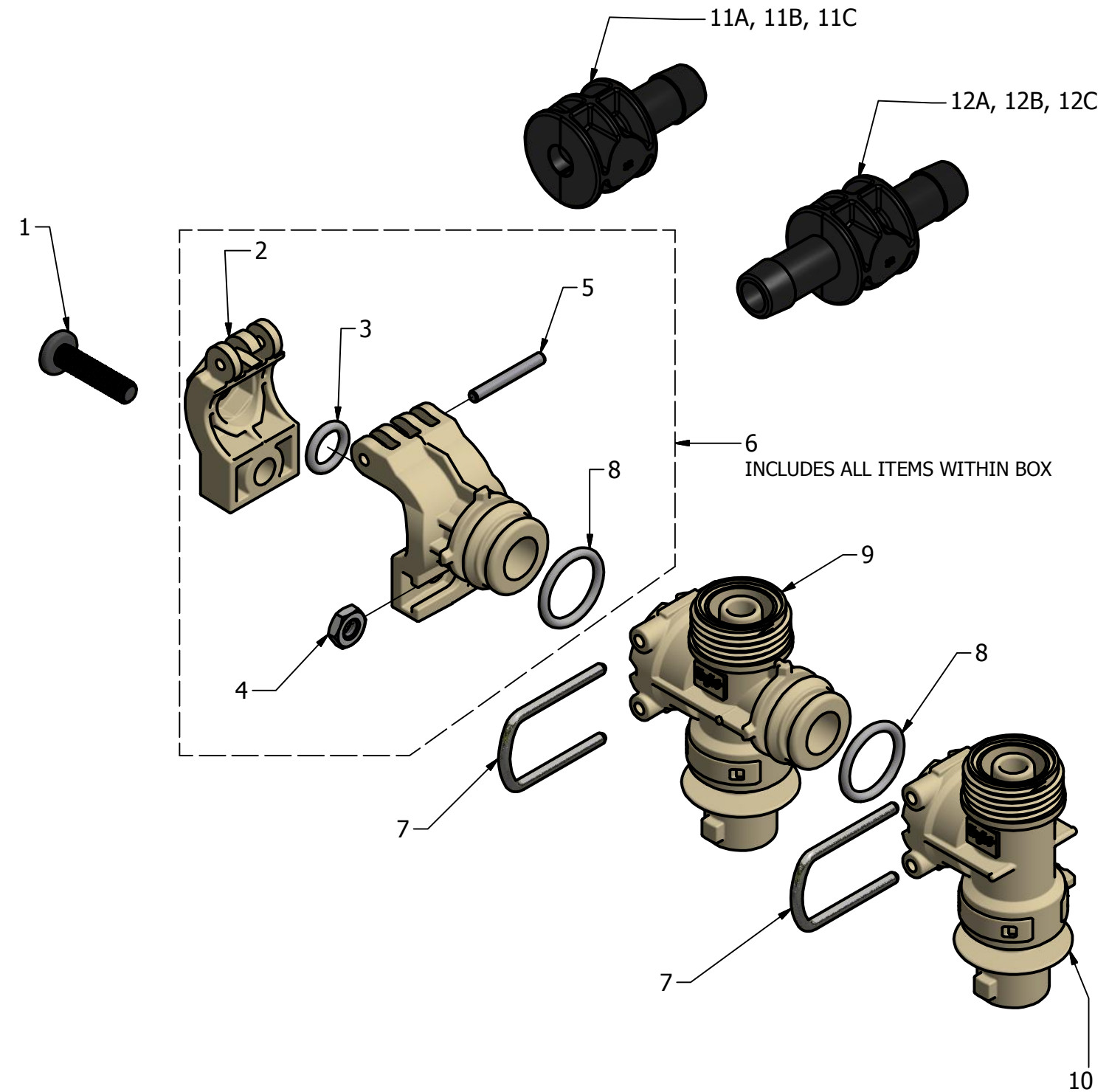
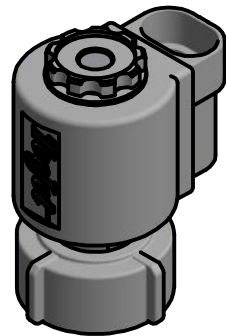


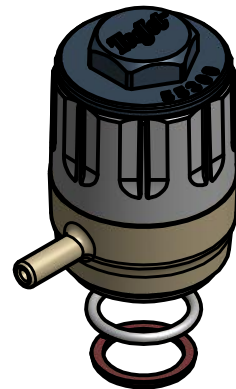
ITEM	PART NO.	DESCRIPTION
1	CP98523-SS	PAN HEAD SCREW, STAINLESS STEEL
2	CP58588-3-NYB	3/4" UPPER CLAMP, NYLON (BLACK)
3	CP7717-2/110-VI	O-RING, VITON
4	CP98522-SS	M6 X 1mm METRIC HEX NUT, STAINLESS STEEL
5	CP48256-SS	PIVOT PIN, STAINLESS STEEL
6	58576-3/4-NYB	3/4" SIDE MOUNT SUB-ASSY., NYLON (BLACK)
7	CP58457-304SS	BYPASS RETAINING CLIP, STAINLESS STEEL
8	CP7717-2/116-VI	O-RING, VITON
9	58573-NYB	MIDDLE BODY SUB-ASSY., NYLON (BLACK)
10	58566-NYB	END BODY SUB-ASSY., NYLON (BLACK)
11A	CP38936-NYB	1/2" SINGLE HOSE BARB, NYLON (BLACK)
11B	CP38938-NYB	3/4" SINGLE HOSE BARB, NYLON (BLACK)
11C	CP38940-NYB	1" SINGLE HOSE BARB, NYLON (BLACK)
12A	CP38937-NYB	1/2" DOUBLE HOSE BARB, NYLON (BLACK)
12B	CP38939-NYB	3/4" DOUBLE HOSE BARB, NYLON (BLACK)
12C	CP38941-NYB	1" DOUBLE HOSE BARB, NYLON (BLACK)



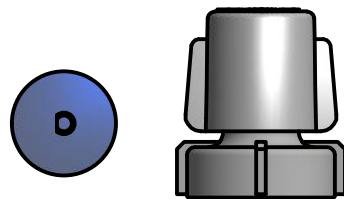
**CHEMSAVER® CHECK VALVE OPTIONS**



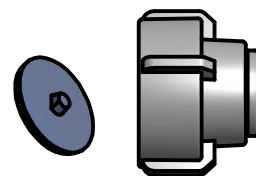
55295-4-12 E-CHEMSAVER®  
 55295-4-24 E-CHEMSAVER®  
 CP58589-VI GASKET, VITON®



55300-1 QJS AIR CHEMSAVER®  
 CP58589-VI GASKET, VITON®  
 CP7717-2/116-VI O-RING, VITON®

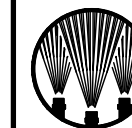


58140-NYB MANUAL SHUTOFF  
 CP56709-VI DIAPHRAGM



58577 END CAP SUBASSEMBLY  
 CP56709-VI DIAPHRAGM

**DESCRIPTION:**  
 QJS-S STACKABLE QUICK TEEJET®  
 SIDE MOUNT NOZZLE BODY



**Spraying Systems Co.®**  
 Spray Nozzles and Accessories  
 P.O. Box 7900 - Wheaton, IL 60189-7900

REVISION NO.	PARTS LIST	
REFERENCE:	<b>PLQJS-S-DB</b>	
SHEET: 1 OF 1	DWG SIZE:	B