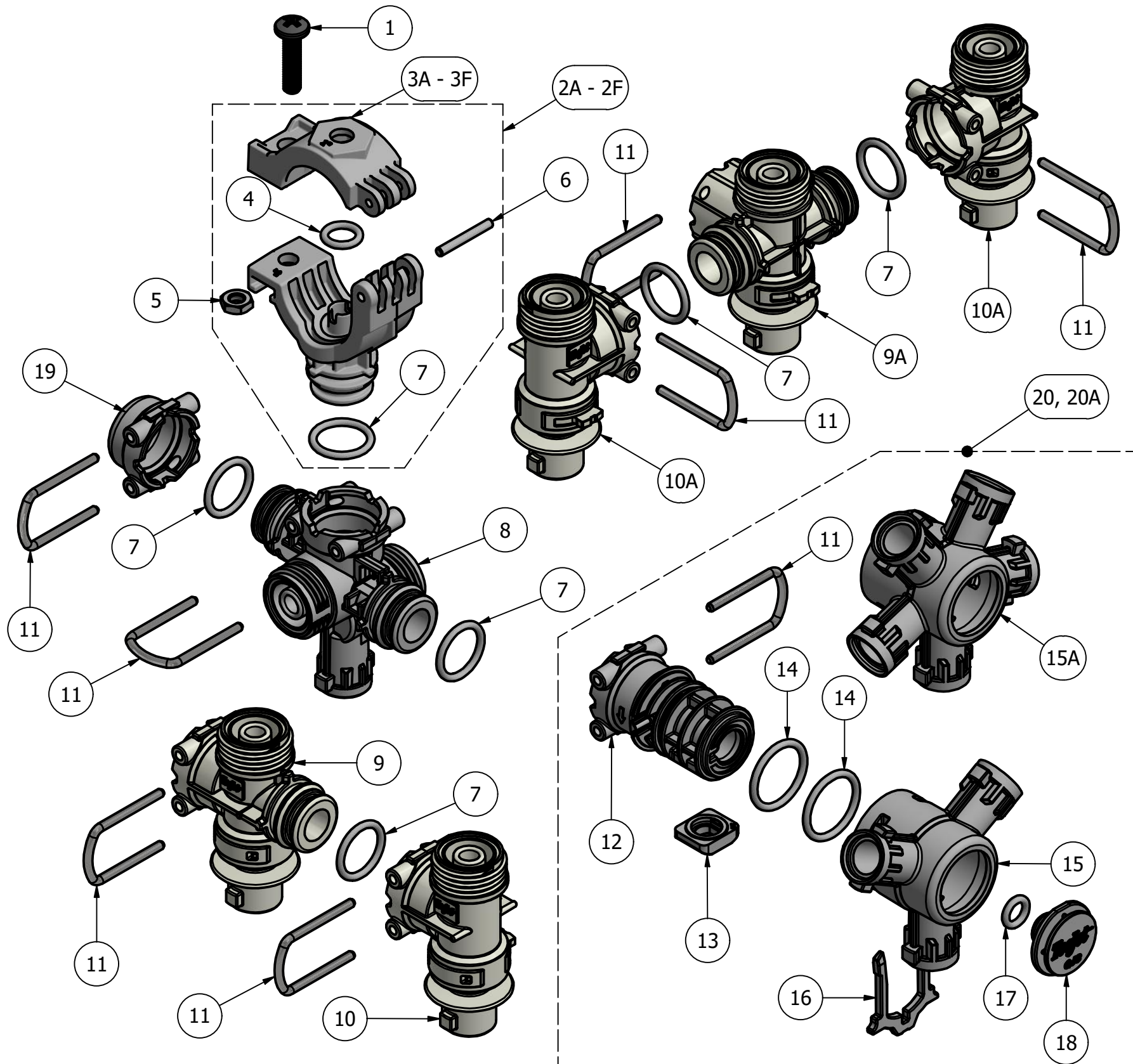


ITEM	PART NO.	DESCRIPTION
1	CP98523-SS	PAN HEAD SCREW, STAINLESS STEEL
2A	114469-20mm-NYB	20mm SIDE MOUNT SUB-ASSY. W/ SS INSERT, NYLON (BLACK)
2B	114469-25mm-NYB	25mm SIDE MOUNT SUB-ASSY. W/ SS INSERT, NYLON (BLACK)
2C	114469-28mm-NYB	28mm SIDE MOUNT SUB-ASSY. W/ SS INSERT, NYLON (BLACK)
2D	114469-1/2-NYB	1/2" SIDE MOUNT SUB-ASSY. W/ SS INSERT, NYLON (BLACK)
2E	114469-3/4-NYB	3/4" SIDE MOUNT SUB-ASSY. W/ SS INSERT, NYLON (BLACK)
2F	114469-1-NYB	1" SIDE MOUNT SUB-ASSY. W/ SS INSERT, NYLON (BLACK)
3A	CP58588-NYB	20mm UPPER CLAMP, NYLON (BLACK)
3B	CP58588-5-NYB	25mm UPPER CLAMP, NYLON (BLACK)
3C	CP58588-6-NYB	28mm UPPER CLAMP, NYLON (BLACK)
3D	CP58588-2-NYB	1/2" UPPER CLAMP, NYLON (BLACK)
3E	CP58588-3-NYB	3/4" UPPER CLAMP, NYLON (BLACK)
3F	CP58588-4-NYB	1" UPPER CLAMP, NYLON (BLACK)
4	CP7717-2/110-VI	O-RING, VITON (BROWN)
5	CP98522-SS	M6x10mm HEX NUT, STAINLESS STEEL
6	CP48256-SS	PIVOT PIN, STAINLESS STEEL
7	CP7717-2/115-VI	O-RING, VITON (BROWN)
8	CP116880-NYB	QJS-D MAIN BODY, NYLON (BLACK)
9	58573-NYB	MIDDLE OUTLET SUB-ASSY., NYLON (BLACK) (2 OUTLET)
9A	98519-NYB	TEE OUTLET SUB-ASSY., NYLON (BLACK) (3 OUTLET)
10	58566-NYB	END OUTLET SUB-ASSY., NYLON (BLACK) (1 OR 2 OUTLET)
10A	58566-1-NYB	END OUTLET SUB-ASSY., NYLON (BLACK) (3 OUTLET)
11	CP58457-304SS	RETAINING CLIP, STAINLESS STEEL
12	CP116881-NYB	QJS-D TURRET BODY, NYLON (BLACK)
13	CP114426-VI	SEAL, VITON (BROWN)
14	CP7717-2-118-VI	O-RING, VITON (BROWN)
15	CP114421-NYB	QJ370 3 OUTLET TURRET, NYLON (BLACK)
15A	CP114422-NYB	QJ370 5 OUTLET TURRET, NYLON (BLACK)
16	CP114424-NYB	QJ370 CLIP, NYLON (BLACK)
17	CP7717-2-109-VI	O-RING, VITON (BROWN)
18	CP114427-15-NYB	QJ370 PLUG, NYLON (BLACK)
19	CP114409-NYB	QJS-D END CAP, NYLON (BLACK)
20	116682-NYB	QJS-D 3 OUTLET TURRET SUB-ASSY., NYLON (BLACK)
20A	116683-NYB	QJS-D 5 OUTLET TURRET SUB-ASSY., NYLON (BLACK)

### CHEMSAVER® CHECK VALVE OPTIONS

- |   |  |
|---|--|
| <ul style="list-style-type: none"> <li>• E-CHEMSAVER</li> <li>115880-4-12 12V SOLENOID</li> <li>115880-4-24 24V SOLENOID</li> <li>CP58589-VI GASKET, VITON</li> </ul> | <ul style="list-style-type: none"> <li>• AIR CHEMSAVER</li> <li>55300-1 PNEUMATIC SHUTOFF</li> <li>CP58589-VI GASKET, VITON</li> <li>CP7717-2/116 O-RING, VITON</li> </ul> |
| <ul style="list-style-type: none"> <li>• MANUAL CHEMSAVER</li> <li>58140-NYB MANUAL SHUTOFF</li> <li>CP56709-VI DIAPHRAGM, VITON</li> </ul>                           | <ul style="list-style-type: none"> <li>• STANDARD CHEMSAVER</li> <li>58577 10 PSI CHECK VALVE</li> <li>CP56709-VI DIAPHRAGM, VITON</li> </ul>                              |



DESCRIPTION:  
QJS-I TURRET STYLE  
STACKABLE QUICK TEEJET®  
NOZZLE BODY



REVISION NO.	1	Parts List No.	PLQJS-I
REFERENCE:	1/15/2020	SHEET:	1 OF 1
		DWG SIZE:	B