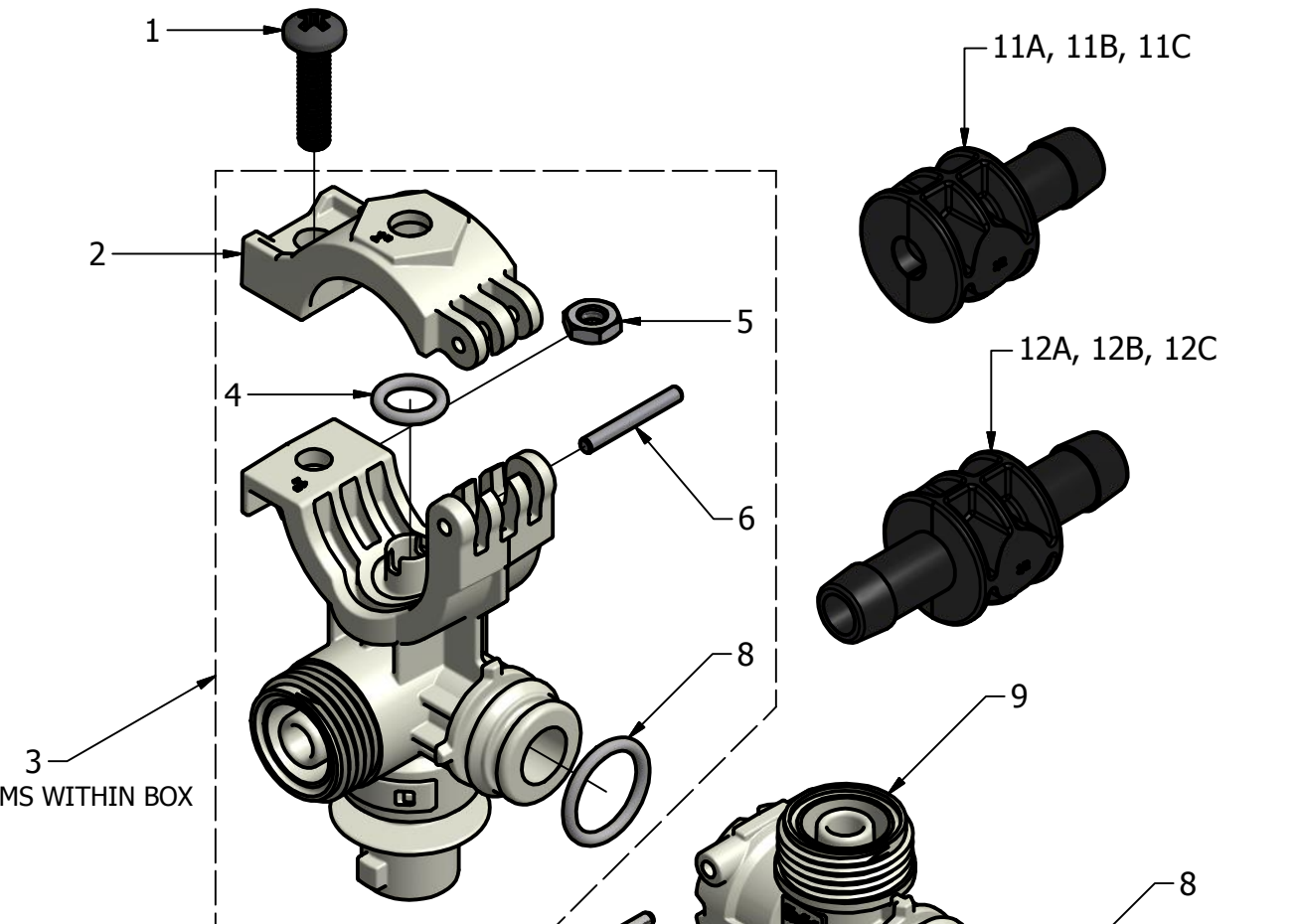
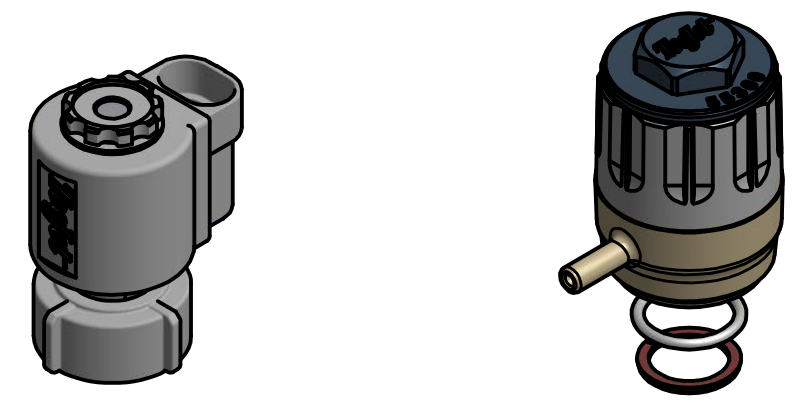


ITEM	PART NO.	DESCRIPTION
1	CP98523-SS	PAN HEAD SCREW, STAINLESS STEEL
2	CP58588-3-NYB	3/4" UPPER CLAMP, NYLON (BLACK)
3	58574-3/4-NYB	3/4" BOTTOM MOUNT SUB-ASSY., NYLON (BLACK)
4	CP7717-2/110-VI	O-RING, VITON®
5	CP98522-SS	M6 X 1mm METRIC HEX NUT, STAINLESS STEEL
6	CP48256-SS	PIVOT PIN, STAINLESS STEEL
7	CP58457-304SS	BYPASS RETAINING CLIP, STAINLESS STEEL
8	CP7717-2/116-VI	O-RING, VITON®
9	58573-NYB	MIDDLE BODY SUB-ASSY., NYLON (BLACK)
9A	98519-NYB	TEE BODY SUB-ASSY., NYLON (BLACK) (4 OUTLET VERSION)
10	58566-NYB	END BODY SUB-ASSY., NYLON (BLACK)
10A	58566-1-NYB	END BODY SUB-ASSY., NYLON (BLACK) (4 OUTLET VERSION)
11A	CP38936-NYB	1/2" SINGLE HOSE BARB, NYLON (BLACK)
11B	CP38938-NYB	3/4" SINGLE HOSE BARB, NYLON (BLACK)
11C	CP38940-NYB	1" SINGLE HOSE BARB, NYLON (BLACK)
12A	CP38937-NYB	1/2" DOUBLE HOSE BARB, NYLON (BLACK)
12B	CP38939-NYB	3/4" DOUBLE HOSE BARB, NYLON (BLACK)
12C	CP38941-NYB	1" DOUBLE HOSE BARB, NYLON (BLACK)



INCLUDES ALL ITEMS WITHIN BOX

CHEMSAVER® CHECK VALVE OPTIONS



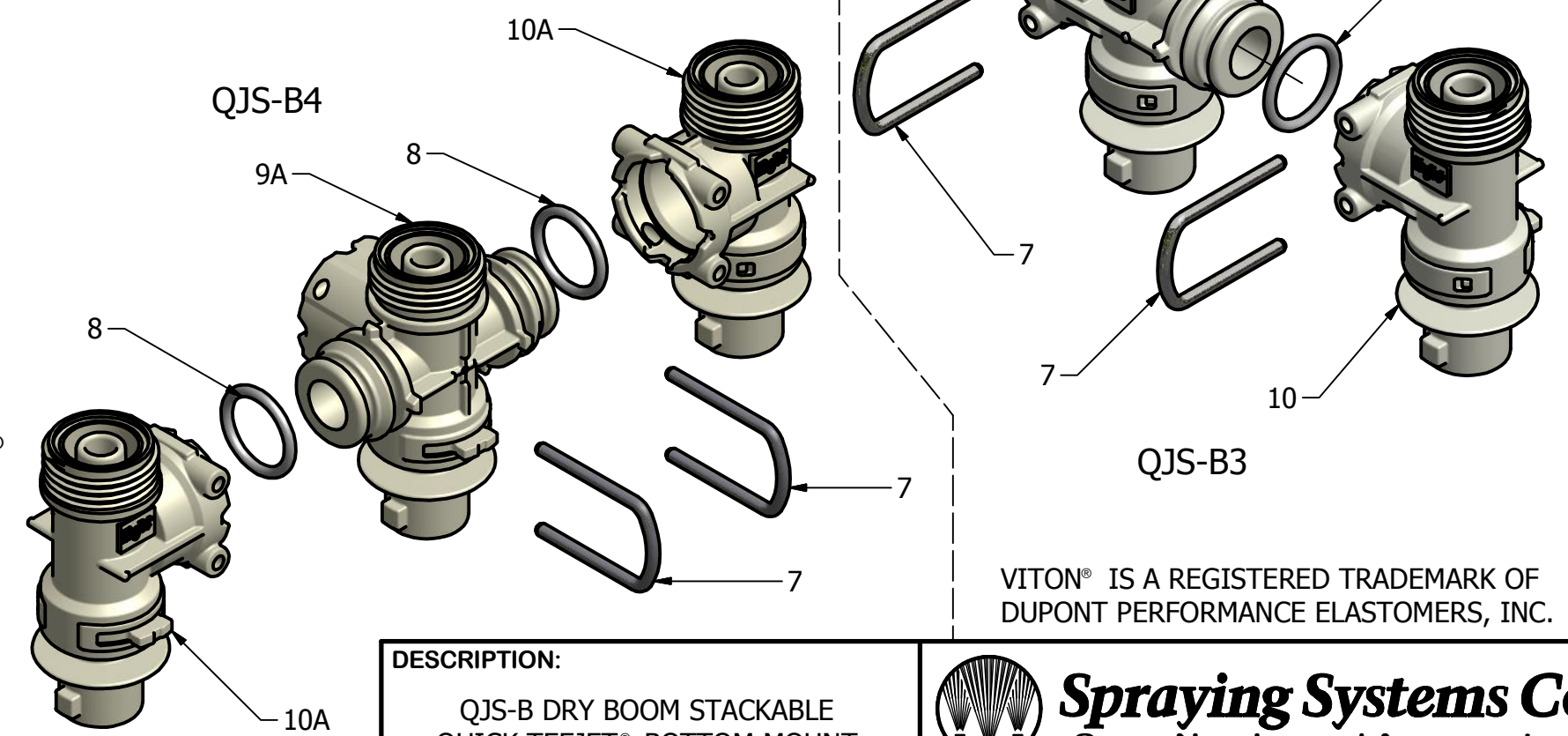
55295-4-12 E-CHEMSAVER®
 55295-4-24 E-CHEMSAVER®
 CP58589-VI GASKET, VITON®

55300-1 QJS AIR CHEMSAVER®
 CP58589-VI GASKET, VITON®
 CP7717-2/116-VI O-RING, VITON®



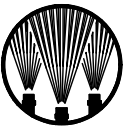
58140-NYB MANUAL SHUTOFF
 CP59709-VI DIAPHRAGM

58577 END CAP SUBASSEMBLY
 CP56709-VI DIAPHRAGM



VITON® IS A REGISTERED TRADEMARK OF DUPONT PERFORMANCE ELASTOMERS, INC.

DESCRIPTION:
 QJS-B DRY BOOM STACKABLE
 QUICK TEEJET® BOTTOM MOUNT
 NOZZLE BODY

 Spraying Systems Co.® Spray Nozzles and Accessories P.O. Box 7900 - Wheaton, IL 60189-7900		PARTS LIST	
		PLQJS-B-DB	
REVISION NO.	2	SHEET:	1 OF 1
REFERENCE:	4/11/16	DWG SIZE:	B