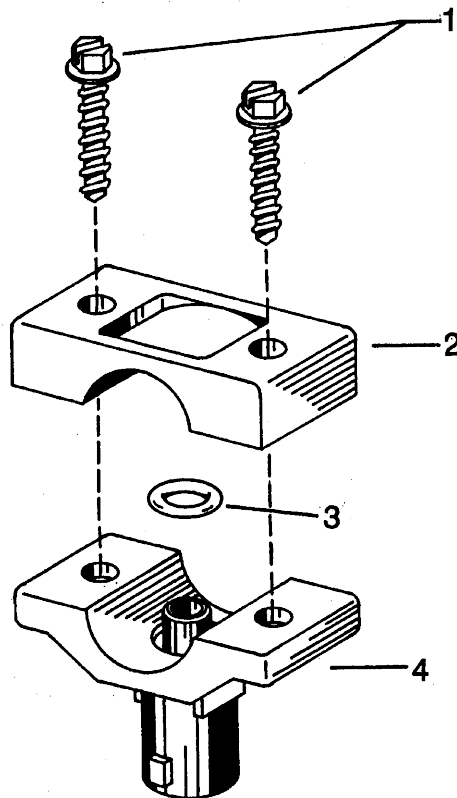


(SEE NOTE)



NOTE: Item No. 5 is a special seal designed for use on booms which already have 7/16" dia. drilled holes - or - 1/4" NPT(F) tapped holes. When used, it replaces Item No. 3



ITEM	PART NO.	DESCRIPTION
1*	CP17674-1/1/4-430SS	SCREW, STAINLESS STEEL (2 REQ'D)
2	CP17553-PPB	UPPER CLAMP, POLYPROPYLENE (BLACK)
3	CP7717-2/110-BU	O-RING, BUNA-N (STANDARD)
	CP7717-2/110-VI	O-RING, VITON (OPTIONAL)
4	CP18667-NYB	CLAMP BODY, NYLON (BLACK)
5	CP18294-EPR	SEAL, EPDM RUBBER (OPTIONAL)
	CP18294-VI	SEAL, VITON (OPTIONAL)
NO. QJ7421-1-NYB SPLIT EYELET QUICK TEEJET BODY ASSEMBLY		

* CP17674-1/3/8-430SS SCREW (OPTIONAL) FOR ATTACHING TO MOUNTING PLATE

DESCRIPTION:

NO. QJ7421-1-NYB
SPLIT EYELET QUICK TEEJET
BODY ASSEMBLY



Spraying Systems Co.[®]

Spray Nozzles and Accessories
P.O. Box 7900 - Wheaton, Il. 60187-7901

Rev. No.

Ref.

Parts List No.

QJ7421-1-NYB

SHEET OF