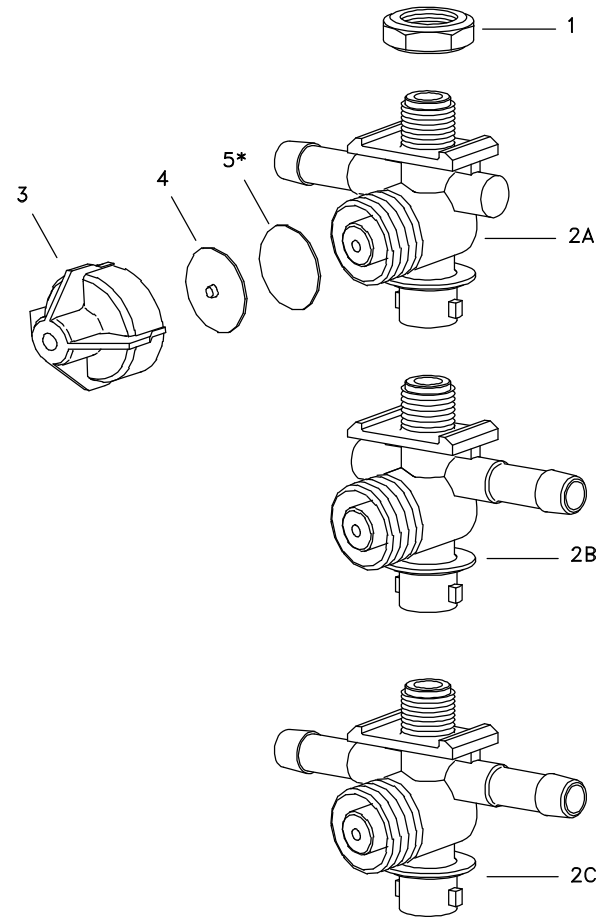


ITEM	PART NO.	DESCRIPTION
1	CP39689	1 1/16-16 Nut, Brass
2A	CP39687-500-NYB	Single (Right) Hose Shank Body, Nylon (Black) (For QJ39685-1R--)
2B	CP39688-500-NYB	Single (Left) Hose Shank Body, Nylon (Black) (For QJ39685-1L--)
2C	CP39686-500-NYB	Double Hose Shank Body, Nylon (Black) (For QJ39685-2--)
3	21950-10-NYB	ChemSaver® End Cap Assembly, Nylon (Black)
4	CP21953-EPR	Diaphragm, EPDM Rubber (Standard)
	CP21953-VI	Diaphragm, VITON® Fluoroelastomer (Optional)
5	CP6227-TEF*	Diaphragm, TEFLON® Fluoropolymer Resin (Optional)
		QJ39685-1R-500-NYB, Single Right Hose Shank Diaphragm Check Valve
		QJ39685-1L-500-NYB, Single Left Hose Shank Diaphragm Check Valve
		QJ39685-2-500-NYB, Double Hose Shank Diaphragm Check Valve

\*When the CP6227-TEF Diaphragm is used, it is placed in the assembly in front of the CP21953-EPR or CP21953-VI Diaphragm.



**DESCRIPTION:**

QJ39685 SERIES HOSE SHANK  
DIAPHRAGM CHECK VALVE



**Spraying Systems Co.®**

Spray Nozzles and Accessories  
P.O. Box 7900 - Wheaton, IL 60189-7900

Rev. No.

Parts List No.

Ref.

PL QJ39685

SHEET OF