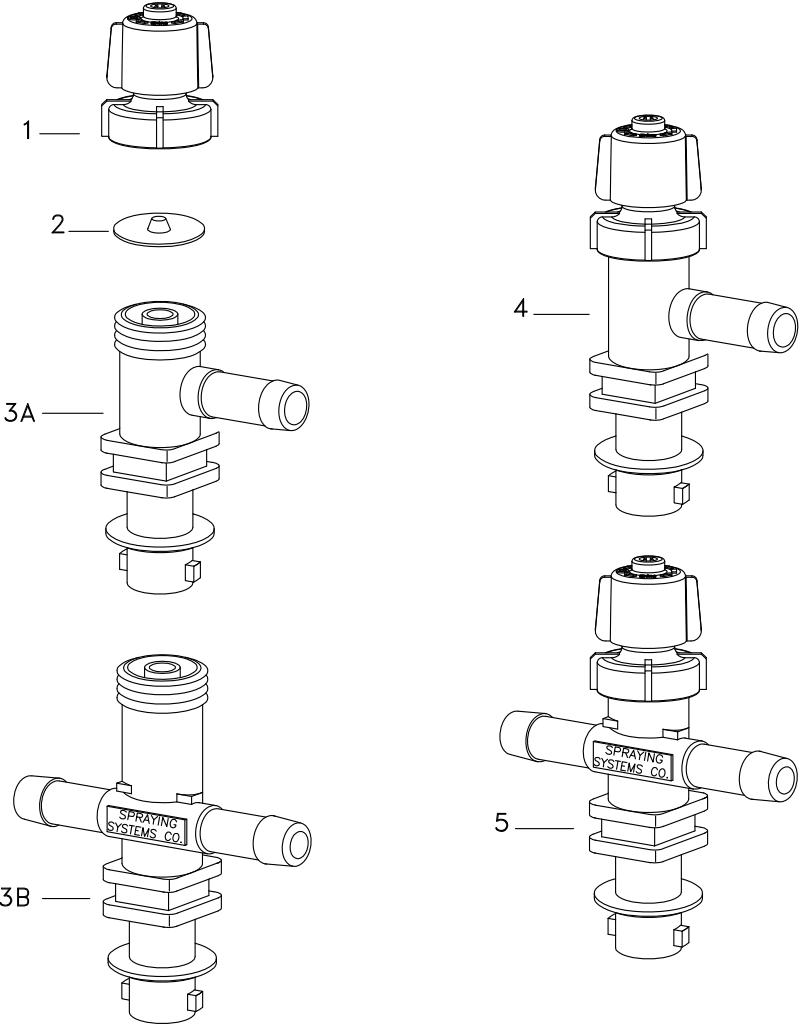


ITEM	PART NO. (NYLON)	DESCRIPTION
1	58140-NYB	MANUAL CHEMSAVER CHECK VALVE ASSEMBLY
2	CP21953-EPR	DIAPHRAGM, EPDM RUBBER (STANDARD)
	CP21953-VI	DIAPHRAGM, VITON (OPTIONAL)
3A	CP22236-NYB	SINGLE HOSE SHANK BODY, 3/8"
	CP22237-NYB	SINGLE HOSE SHANK BODY, 1/2"
	CP22238-NYB	SINGLE HOSE SHANK BODY, 3/4"
3B	CP22239-NYB	DOUBLE HOSE SHANK BODY, 3/8"
	CP22240-NYB	DOUBLE HOSE SHANK BODY, 1/2"
	CP22241-NYB	DOUBLE HOSE SHANK BODY, 3/4"
4	22251-311-375-MC	SINGLE HOSE SHANK BODY WITH MANUAL CHECK VALVE ASSEMBLY
	22251-311-500-MC	SINGLE HOSE SHANK BODY WITH MANUAL CHECK VALVE ASSEMBLY
	22251-311-750-MC	SINGLE HOSE SHANK BODY WITH MANUAL CHECK VALVE ASSEMBLY
	22252-312-375-MC	DOUBLE HOSE SHANK BODY WITH MANUAL CHECK VALVE ASSEMBLY
5	22252-312-500-MC	DOUBLE HOSE SHANK BODY WITH MANUAL CHECK VALVE ASSEMBLY
	22252-312-750-MC	DOUBLE HOSE SHANK BODY WITH MANUAL CHECK VALVE ASSEMBLY



VITON® IS A TRADEMARK OF DUPONT COMPANY

DESCRIPTION:
 QJ300 SERIES
 DRY BOOM NOZZLE BODY
 WITH 58140 MANUAL CHEMSAVER®



Spraying Systems Co.®
 Spray Nozzles and Accessories
 P.O. Box 7900 - Wheaton, IL 60189-7900

Rev. No.

Ref.

PARTS LIST
 PLQJ300-MC
 SHEET OF