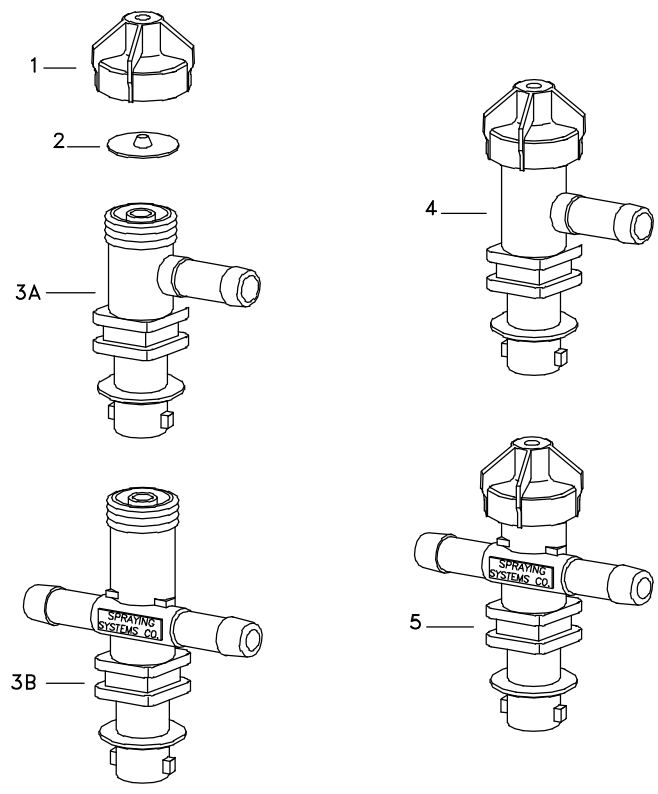



ITEM	PART NO. (NYLON)	DESCRIPTION
1	21950-10-NYB	ChemSaver END CAP ASSEMBLY
2	CP21953-EPR	DIAPHRAGM, EPDM RUBBER (STANDARD)
	CP21953-VI	DIAPHRAGM, VITON (OPTIONAL)
3A	CP22236-NYB	SINGLE HOSE SHANK BODY, 3/8"
	CP22237-NYB	" " " " , 1/2"
	CP22238-NYB	" " " " , 3/4"
3B	CP22239-NYB	DOUBLE HOSE SHANK BODY, 3/8"
	CP22240-NYB	" " " " , 1/2"
	CP22241-NYB	" " " " , 3/4"
4	22251-311-375-NYB	SINGLE HOSE SHANK BODY & CHECK VALVE ASSEMBLY
	22251-311-500-NYB	" " " " " " "
	22251-311-750-NYB	" " " " " " "
5	22252-312-375-NYB	DOUBLE HOSE SHANK BODY & CHECK VALVE ASSEMBLY
	22252-312-500-NYB	" " " " " " "
	22252-312-750-NYB	" " " " " " "



DESCRIPTION:
 NO. QJ300 SERIES
 NYLON HOSE SHANK
 DIAPHRAGM CHECK VALVES

 **Spraying Systems Co.**
 Spray Nozzles and Accessories
 P.O. Box 7900 - Wheaton, Il. 60189-7900

Rev. No.	Parts List No. PL QJ300--NYB SHEET OF
Ref.	