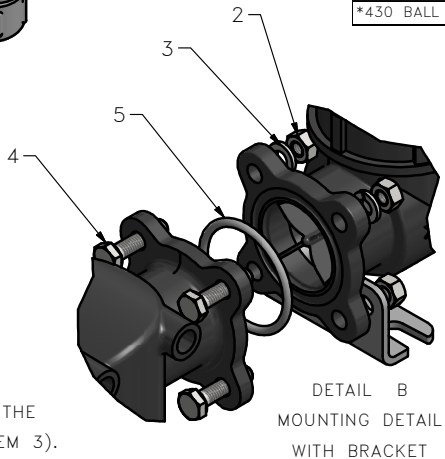
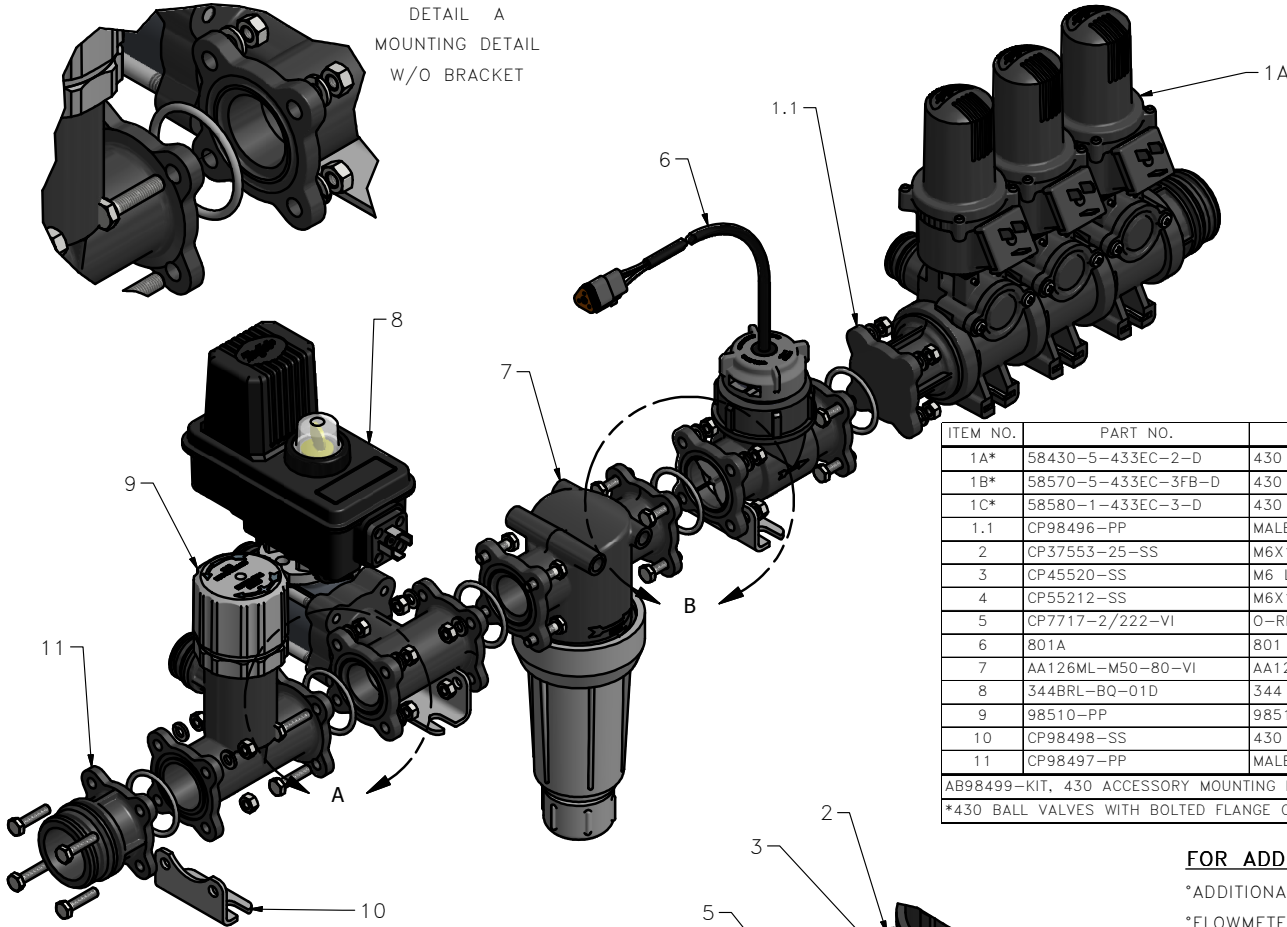


DETAIL A  
MOUNTING DETAIL  
W/O BRACKET



DETAIL B  
MOUNTING DETAIL  
WITH BRACKET

MOUNTING NOTE: WHEN USING THE MOUNTING BRACKET, THE BOTTOM TWO BOLTS DO NOT REQUIRE LOCK WASHERS (ITEM 3).


ITEM NO.	PART NO.	DESCRIPTION
1A*	58430-5-433EC-2-D	430 BALL VALVE MANIFOLD, 2-WAY, 3 SECTIONS WITH BOLTED FLANGE CONNECTION
1B*	58570-5-433EC-3FB-D	430 BALL VALVE MANIFOLD, FLOWBACK, 3 SECTIONS WITH BOLTED FLANGE CONNECTION
1C*	58580-1-433EC-3-D	430 BALL VALVE MANIFOLD, 3-WAY, 3 SECTIONS WITH BOLTED FLANGE CONNECTION
1.1	CP98496-PP	MALE BOLTED INLET ADAPTER, POLYPROPYLENE (BLACK)
2	CP37553-25-SS	M6X1X25MM METRIC HEX HEAD CAP SCREW, STAINLESS STEEL (4 REQ'D PER CONNECTION)
3	CP45520-SS	M6 LOCK WASHER, STAINLESS STEEL (4 REQ'D PER CONNECTION)
4	CP55212-SS	M6X1MM HEX NUT, STAINLESS STEEL (4 REQ'D PER CONNECTION)
5	CP7717-2/222-VI	O-RING, VITON (1 REQ'D PER CONNECTION)
6	801A	801 FLOWMETER WITH BOLTED FLANGE CONNECTOR
7	AA126ML-M50-80-VI	AA126 430 MANIFOLD ACCESSORY LINE STRAINER, 80 MESH
8	344BRL-BQ-01D	344 REGULATING VALVE, RL BALL, 1 RPM, 18 SEC, DIN CONNECTION
9	98510-PP	98510 PRESSURE RELIEF VALVE WITH BOLTED FLANGE CONNECTION, POLYPROPYLENE
10	CP98498-SS	430 ACCESSORY MOUNTING BRACKET, STAINLESS STEEL (3 REQ'D)
11	CP98497-PP	MALE LARGE QUICK CONNECT BY BOLTED FLANGE CONNECTION, POLYPROPYLENE (BLACK)
AB98499-KIT, 430 ACCESSORY MOUNTING KIT INCLUDES ITEMS 2-5		
*430 BALL VALVES WITH BOLTED FLANGE CONNECTION AVAILABLE IN 1-9 SECTIONS		

**FOR ADDITIONAL COMPONENT DETAILS & OPTIONS PLEASE SEE**

- \*ADDITIONAL 430 MANIFOLD ASSEMBLIES - DS98600, PL98600-A, PL98600-B
- \*FLOWMETER - DS801A
- \*STRAINER - DS126ML-M50, PL126ML-M50
- \*REGULATING VALVE - PL344BR&RL
- \*PRESSURE RELIEF VALVE - DS98510, DS98510X2, DS98510X2M, PL98510

VITON® IS A TRADEMARK OF DUPONT COMPANY

**DESCRIPTION:**  
 98600, 98601, 98602 SERIES  
 430 MANIFOLD BALL VALVES  
 98600, 98601, 98602 SERIES  
 FLOWMETER, STRAINER,  
 BYPASS REGULATING VALVE,  
 & PRESSURE RELIEF VALVE

 <b>Spraying Systems Co.®</b> Spray Nozzles and Accessories P.O. Box 7900 - Wheaton, IL 60187-7901		PARTS LIST	
		<b>PL98600-C</b>	
REVISION NO.	2	REFERENCE:	4/23/2012
SHEET: 1 OF 1		DWG SIZE: B	