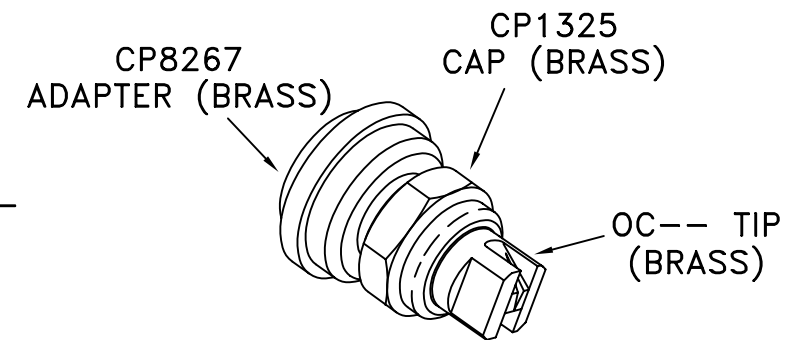


ITEM	PART NO.	DESCRIPTION
1	CP2812	1/4" PIPE PLUG, BRASS
2	H1/4VV-1506	VEEJET® NOZZLE, BRASS (2 REQ'D) (FOR 5880-3/4-2TOC06)
	H1/4VV-1508	VEEJET® NOZZLE, BRASS (2 REQ'D) (FOR 5880-3/4-2TOC08)
	H1/4U-0508HE	VEEJET® NOZZLE, BRASS (2 REQ'D) (FOR 5880-3/4-2TOC10)
	H1/4U-0520HE	VEEJET® NOZZLE, BRASS (2 REQ'D) (FOR 5880-3/4-2TOC20)
	H1/4U-0540HE	VEEJET® NOZZLE, BRASS (2 REQ'D) (FOR 5880-3/4-2TOC40)
	H1/4U-0080	VEEJET® NOZZLE, BRASS (2 REQ'D) (FOR 5880-3/4-2TOC80)
3	CP5856	NOZZLE BODY, BRASS
4	12687-50 *	STRAINER, BRASS BODY & STAINLESS STEEL SCREEN (50 MESH)
5	H1/4VV-9502	VEEJET® NOZZLE, BRASS (FOR 5880-3/4-2TOC06)
	H1/4VV-9503	VEEJET® NOZZLE, BRASS (FOR 5880-3/4-2TOC08)
	H1/4VV-11004	VEEJET® NOZZLE, BRASS (FOR 5880-3/4-2TOC10)
	H1/4VV-9506	VEEJET® NOZZLE, BRASS (FOR 5880-3/4-2TOC20)
	H1/4U-9510	VEEJET® NOZZLE, BRASS (FOR 5880-3/4-2TOC40)
	H1/4U-9520	VEEJET® NOZZLE, BRASS (FOR 5880-3/4-2TOC80)
6	CP4784-AL	TIP GASKET, ALUMINUM (2 REQ'D)
7	6733-OC06	OFF-CENTER TIP, BRASS (2 REQ'D) (FOR 5880-3/4-2TOC06)
	6733-OC08	OFF-CENTER TIP, BRASS (2 REQ'D) (FOR 5880-3/4-2TOC08)
	OC10	OFF-CENTER TIP, BRASS (2 REQ'D) (FOR 5880-3/4-2TOC10)
	OC20	OFF-CENTER TIP, BRASS (2 REQ'D) (FOR 5880-3/4-2TOC20)
	OC40	OFF-CENTER TIP, BRASS (2 REQ'D) (FOR 5880-3/4-2TOC40)
	OC80	OFF-CENTER TIP, BRASS (2 REQ'D) (FOR 5880-3/4-2TOC80)
8	CP3819	CAP, BRASS (2 REQ'D)
9	CP5539	TIP PLUG, BRASS (BLANK FOR OC TIP)
No. 5880-3/4-2TOC__ BOOMJET® NOZZLE, BRASS		

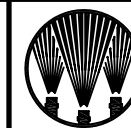
\*NOTE: THE No. 5880-3/4-2TOC40 AND 80 DO NOT HAVE A STRAINER.

**NOTE:**  
ITEM 7 CAN BE  
REPLACED WITH 6733-OC\_\_  
TEEJET® TIP ASSEMBLY  
AS AN OPTION.



No. 6733-OC\_\_ TEEJET® TIP ASSEMBLY

DESCRIPTION:  
5880-3/4-2-TOC---  
BOOMJET® NOZZLE



**Spraying Systems Co.®**

Spray Nozzles and Accessories  
P.O. Box 7900 - Wheaton, IL 60189-7900

Rev. No. 1

Ref.

PARTS LIST

PL5880

SHEET OF