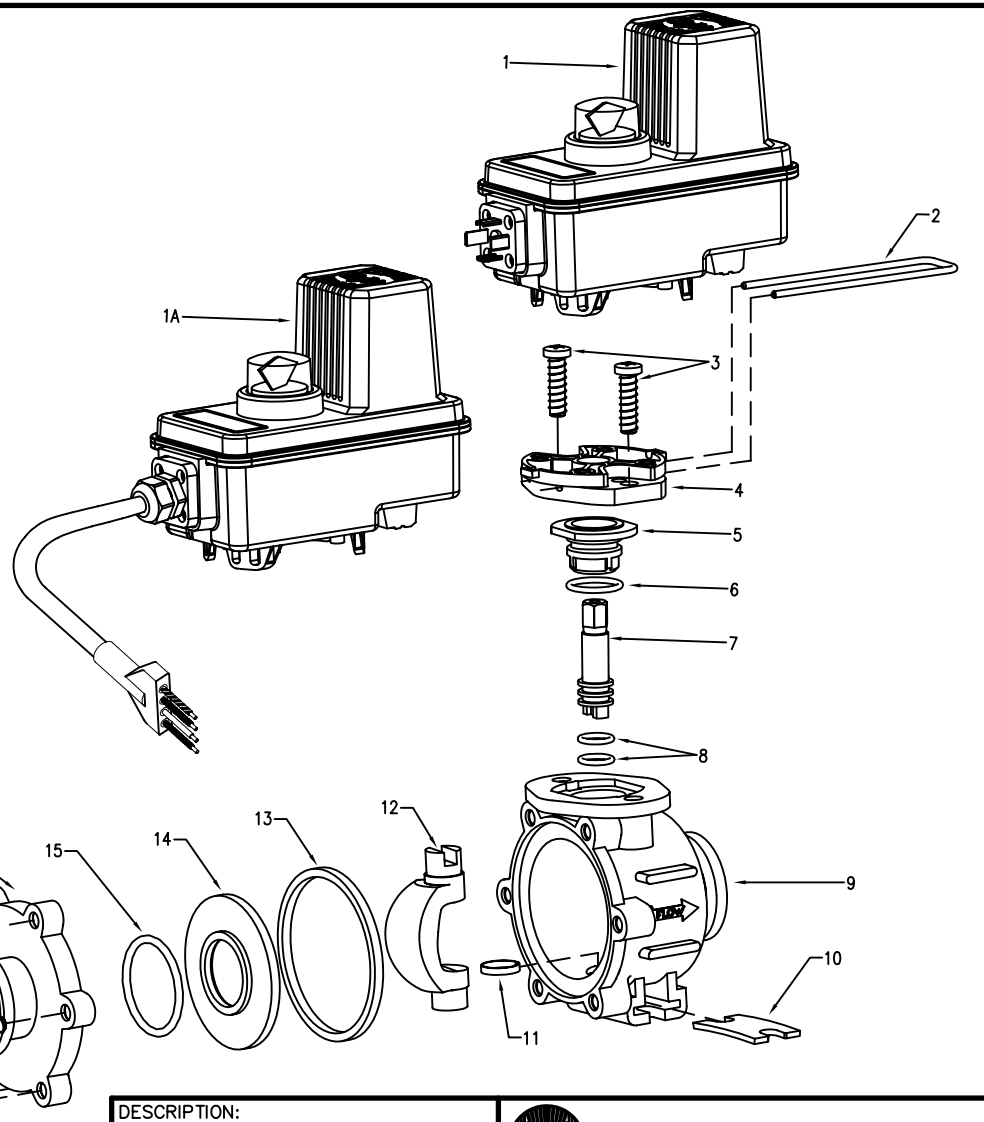


ITEM	PART NO.	DESCRIPTION	
1	50994-25DP	Normally-Open BEC Motor, 25-RPM (0.6-SEC), DIN Connection, Pos. Switched	
1A	50994-25CP03	Normally-Open BEC Motor, 25-RPM (0.6-SEC), 0.3-Meter Cable Connection, Pos. Switched	
	50994-25CP05	Normally-Open BEC Motor, 25-RPM (0.6-SEC), 0.5-Meter Cable Connection, Pos. Switched	
	50994-25CP15	Normally-Open BEC Motor, 25-RPM (0.6-SEC), 1.5-Meter Cable Connection, Pos. Switched	
	50994-25CP60	Normally-Open BEC Motor, 25-RPM (0.6-SEC), 6.0-Meter Cable Connection, Pos. Switched	
	2	CP50517-SSPV	Retaining Clip, 304 Stainless Steel - Passivated
3	CP45517-1 1/8-SS	Screw, Phillips/Sq. Pan Head, 302 Stainless Steel (8 Req'd)	
4	CP50514-PP	Motor Adapter, Glass Filled Polypropylene (Black)	
5	CP50505-RYTON	Stem Bushing, Ryton (Black)	
*	6	CP7717-2-117-VI	O-Ring, Viton
7	CP50532-316SS	Stem, 316 Stainless Steel	
*	8	CP7717-M12X2.5-VI	O-Ring, Viton (2 Req'd)
9	CP50501-PP	Body, Glass Filled Polypropylene (Black)	
10	CP50507-304SS	Mounting Plate, 304 Stainless Steel	
*	11	CP50509-CTEF	Lower Bushing, Carbon Filled Teflon
12	CP50506-316SS	Ball, Polished 316 Stainless Steel	
*	13	CP50504-VI	Gasket, Viton
*	14	CP50503-CTEF	Seal, Carbon Filled Teflon
*	15	CP7717-2-223-VI	O-Ring, Viton
16	CP50502-PP	End Cap, Glass Filled Polypropylene (Black)	
AB356-KIT, Spare Parts Kit (Includes all items marked with *)			

■ Note: For Negatively Switched Motors Specify "N" rather than "P" in Motor Part Number  
Example: 50994-25CN05



DESCRIPTION:  
**56604-11**  
**356BEC DIRECTOVALVE®**  
**NORMALLY-OPEN**  
**ELECTRIC SHUT-OFF**  
**TRUNNION VALVE**



**Spraying Systems Co.®**  
Spray Nozzles and Accessories  
P.O. Box 7900 - Wheaton, IL 60189-7900

Rev. No. 0

Ref.

PARTS LIST  
**PL56604-11**  
SHEET OF