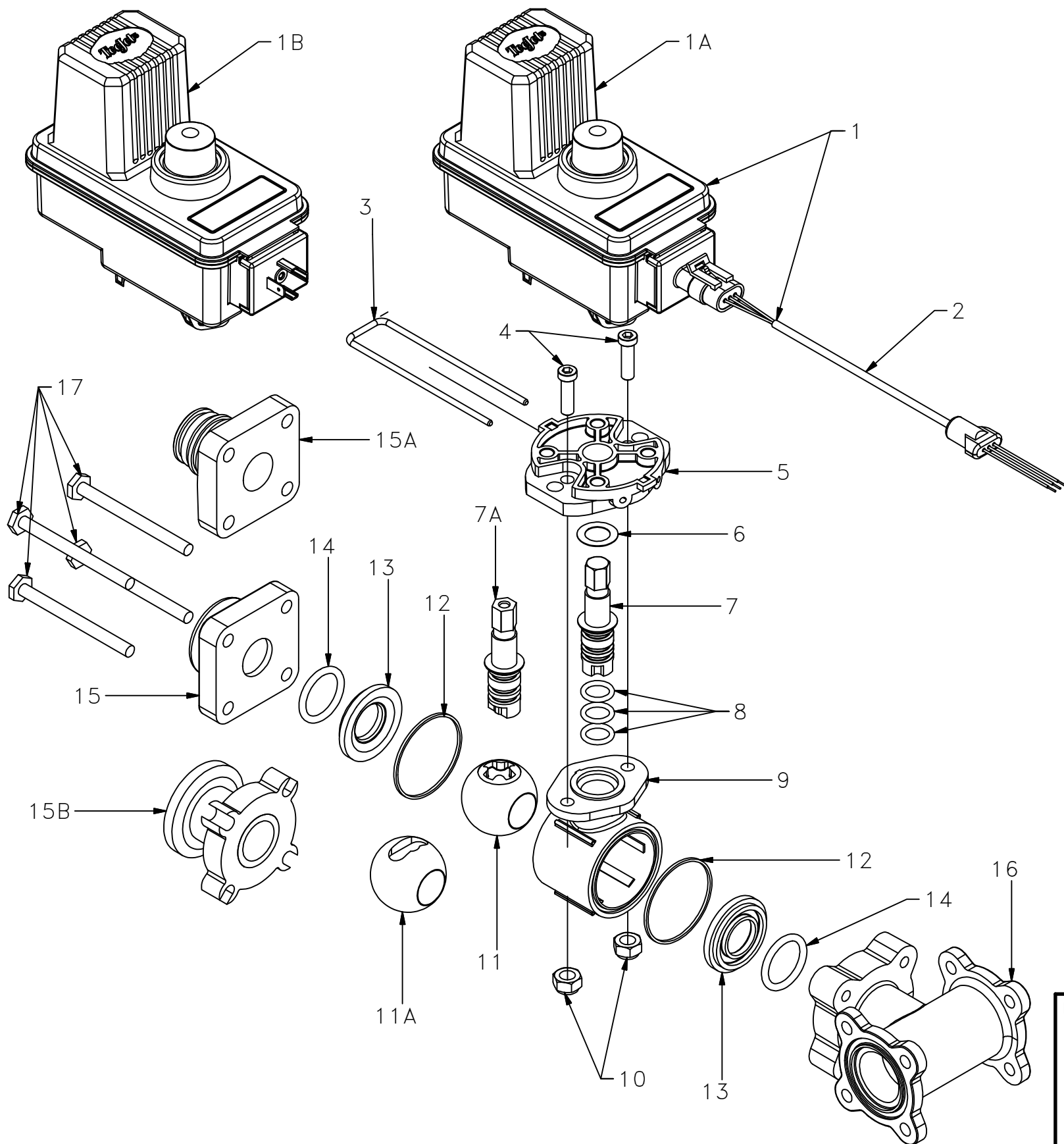


FOR METRI-PACK CABLE REFERENCE DS98546;
FOR DIN CABLE REFERENCE DS38082

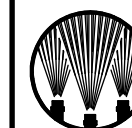


ITEM	PART NUMBER	DESCRIPTION
# 1	50994-22CP03	NORMALLY-OPEN BEC MOTOR, 22-RPM (0.7-SEC), 0.3-METER CABLE, POS. SWITCHED
	50994-22CP05	NORMALLY-OPEN BEC MOTOR, 22-RPM (0.7-SEC), 0.5-METER CABLE, POS. SWITCHED
	50994-22CP15	NORMALLY-OPEN BEC MOTOR, 22-RPM (0.7-SEC), 1.5-METER CABLE, POS. SWITCHED
	50994-22CP60	NORMALLY-OPEN BEC MOTOR, 22-RPM (0.7-SEC), 6.0-METER CABLE, POS. SWITCHED
# 1A	50994-22P	NORMALLY-OPEN BEC MOTOR, 22-RPM (0.7-SEC), W/O CABLE, POS. SWITCHED
# 1B	50994-22DP	NORMALLY-OPEN BEC MOTOR, 22-RPM (0.7-SEC), DIN CONNECTION, POS. SWITCHED
2	98546EC-__	3-WIRE CABLE W/ METRI-PACK TOWER CONNECTION
3	CP50517-SSPV	RETAINING CLIP, 304 STAINLESS STEEL
4	CP26196-7/8-SS	SOCKET HEAD CAP SCREW, STAINLESS STEEL (2 REQ'D)
5	CP50514-PP	MOTOR ADAPTER, POLYPROPYLENE (BLACK)
* 6	CO20125-TEF	THRUST WASHER, TEFLON
7	CP56613-SS	STEM, 303 STAINLESS STEEL (FOR POLYPROPYLENE BALL)
7A	CP56615-SS	STEM, 303 STAINLESS STEEL (FOR 2-WAY STAINLESS STEEL BALL)
* 8	CP7717-M12-2.5-VI	O-RING, VITON (3 REQ'D)
9	CP20101-NYB	BODY, NYLON (BLACK) (2-WAY)
10	CP38435-1/4-SSNY	ELASTIC LOCKNUT, STAINLESS STEEL (2 REQ'D)
11	CP20106-1-PP	BALL, POLYPROPYLENE (WHITE) (2-WAY)
11A	CP19926-SS	BALL, STAINLESS STEEL (2-WAY)
* 12	CP20564-VI	GASKET, VITON (2 REQ'D)
* 13	CP20103-TEF	SEAL, TEFLON (2 REQ'D)
* 14	CP7717-2-213-VI	O-RING, VITON (2 REQ'D)
15	CP20104-*-NYB	FEMALE THREADED END CAP, NYLON (BLACK) (1", 3/4")
15A	CP45514-NYB	QUICK CONNECT END CAP, NYLON (BLACK)
15B	CP45253-NYB	#50 FLANGED END CAP, NYLON (BLACK)
16	CP98507-PP	FLANGED TEE BODY, POLYPROPYLENE (BLACK)
17	CP45252-2-3/4-SSPV	PAN HEAD SCREW, STAINLESS STEEL (4 REQ'D)

* NOTE: FOR NEGATIVELY SWITCHED MOTORS SPECIFY "N" RATHER THAN "P" IN MOTOR PART NUMBER
EXAMPLE: 50994-22CN05

TEFLON® IS A TRADEMARK OF DUPONT COMPANY
VITON® IS A TRADEMARK OF DUPONT DOW ELASTOMERS

DESCRIPTION:
56600-11-BY 344BEC
DIRECTOVALVE®
NORMALLY-OPEN ELECTRIC
SHUT-OFF BALL VALVE



Spraying Systems Co.®
Spray Nozzles and Accessories
P.O. Box 7900 - Wheaton, IL 60189-7900

REVISION NO. 2	PARTS LIST PL56600-11-BY
REFERENCE: 4/15/2015	SHEET: DWG SIZE: B