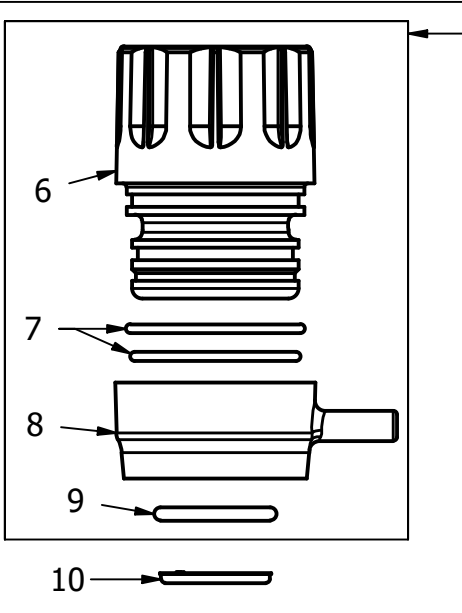


AB55300-2-KIT

ITEM	PART NUMBER	DESCRIPTION
1	N/A	CAP, POLYPROPYLENE (BLACK)
2	N/A	SPRING, 302 STAINLESS STEEL
3	N/A	O-RING, VITON
4	N/A	PISTON SUB-ASSEMBLY
5	N/A	O-RING, VITON (2 REQ'D)

AB55300-3-KIT

ITEM	PART NUMBER	DESCRIPTION
3	N/A	O-RING, VITON
4	N/A	PISTON SUB-ASSEMBLY
5	N/A	O-RING, VITON (2 REQ'D)



AB55300-KIT

ITEM	PART NUMBER	DESCRIPTION
6	N/A	BODY, POLYPROPYLENE (BLACK)
7	N/A	O-RING, VITON (2 REQ'D)
8	N/A	AIR INLET, POLYPROPYLENE (BLACK)
9	CP7717-2/116-VI	O-RING, VITON

*ITEMS 6, 7, AND 8 COME PRE-ASSEMBLED

AB55300-1-KIT

ITEM	PART NUMBER	DESCRIPTION
6	N/A	BODY, POLYPROPYLENE (BLACK)
7	N/A	O-RING, VITON (2 REQ'D)
8	N/A	AIR INLET, POLYPROPYLENE (BLACK)
9	CP7717-2/116-VI	O-RING, VITON
10	CP58589-VI	O-RING, VITON

*ITEMS 6, 7, AND 8 COME PRE-ASSEMBLED

**FOR USE ON QJS NOZZLE BODIES

DESCRIPTION:

55300 & 53300-1
AIR CHEMSAVER®



Spraying Systems Co.®

Spray Nozzles and Accessories
P.O. Box 7900 - Wheaton, IL 60187-7901

REVISION NO.

PARTS LIST

REFERENCE:

PL55300

2/15/16

SHEET:

1 OF 1

DWG SIZE:

A