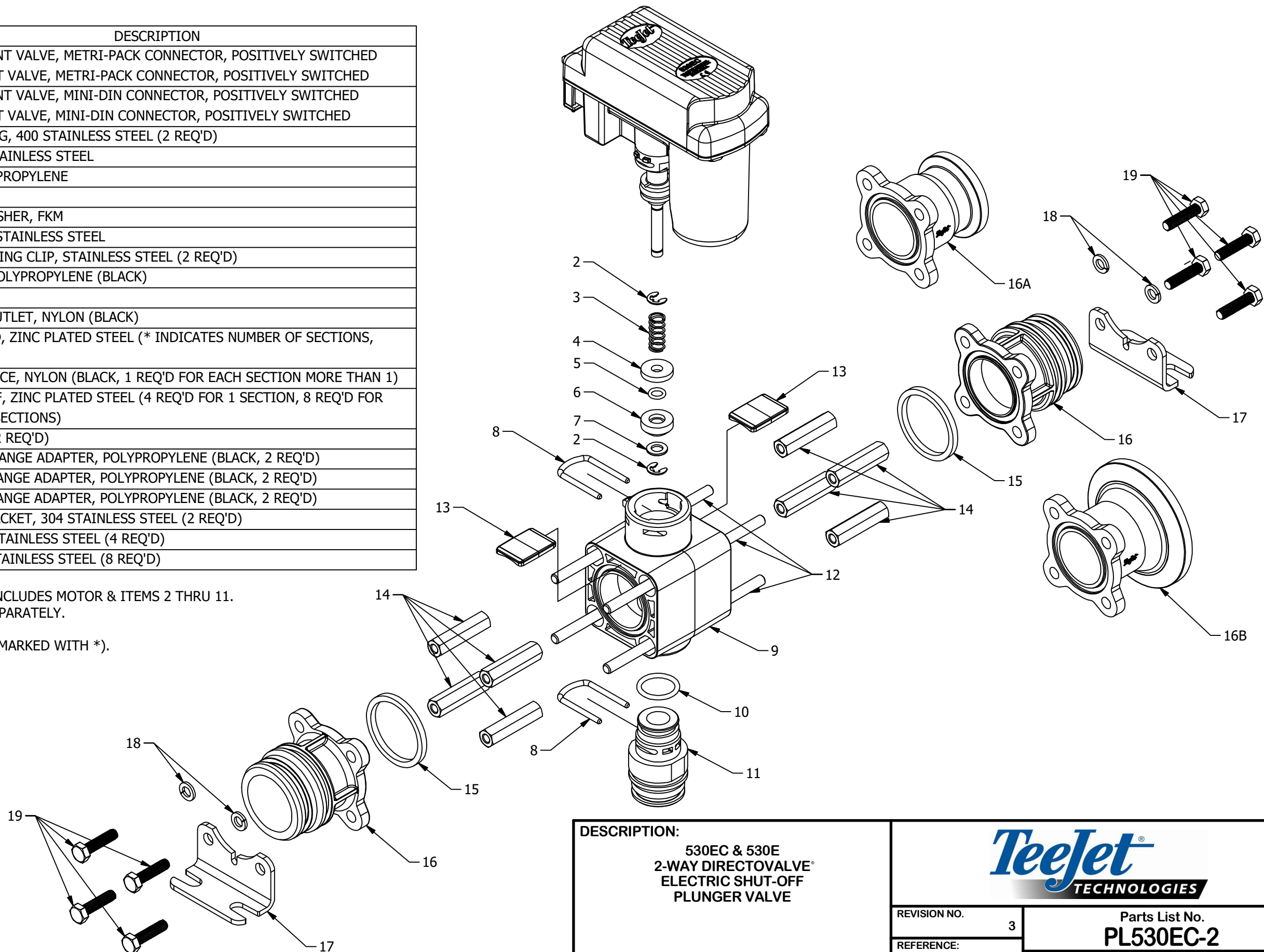


ITEM	PART NUMBER	DESCRIPTION
1	115531-EC-P 115531-E-P	EC REPLACEMENT VALVE, METRI-PACK CONNECTOR, POSITIVELY SWITCHED E REPLACEMENT VALVE, METRI-PACK CONNECTOR, POSITIVELY SWITCHED
1A	115531-EC-D 115531-E-D	EC REPLACEMENT VALVE, MINI-DIN CONNECTOR, POSITIVELY SWITCHED E REPLACEMENT VALVE, MINI-DIN CONNECTOR, POSITIVELY SWITCHED
2*	SEE REPAIR KIT	RETAINING RING, 400 STAINLESS STEEL (2 REQ'D)
3*	SEE REPAIR KIT	SPRING, 316 STAINLESS STEEL
4*	SEE REPAIR KIT	WASHER, POLYPROPYLENE
5*	SEE REPAIR KIT	O-RING, FKM
6*	SEE REPAIR KIT	STEM SEAT WASHER, FKM
7*	SEE REPAIR KIT	WASHER, 18-8 STAINLESS STEEL
8	CP58457-304SS	MOTOR RETAINING CLIP, STAINLESS STEEL (2 REQ'D)
9	CP115540-PP	VALVE BODY, POLYPROPYLENE (BLACK)
10	CP7717-2/116-VI	O-RING, FKM
11	CP115541-NYB	VALVE BODY OUTLET, NYLON (BLACK)
12	CP115549-*-IZP	THREADED ROD, ZINC PLATED STEEL (* INDICATES NUMBER OF SECTIONS, 2-15, 4 REQ'D)
13	CP115547-NYB	ALIGNMENT PIECE, NYLON (BLACK, 1 REQ'D FOR EACH SECTION MORE THAN 1)
14	CP115549-IZP	HEX STAND-OFF, ZINC PLATED STEEL (4 REQ'D FOR 1 SECTION, 8 REQ'D FOR MORE THAN 1 SECTIONS)
15	CP115562-VI	GASKET, FKM (2 REQ'D)
16	CP98497-PP	LQC BOLTED FLANGE ADAPTER, POLYPROPYLENE (BLACK, 2 REQ'D)
16A	CP98491-PP	F50 BOLTED FLANGE ADAPTER, POLYPROPYLENE (BLACK, 2 REQ'D)
16B	CP98490-PP	F75 BOLTED FLANGE ADAPTER, POLYPROPYLENE (BLACK, 2 REQ'D)
17	CP98498-SS	MOUNTING BRACKET, 304 STAINLESS STEEL (2 REQ'D)
18	CP45520-SS	WASHER, 302 STAINLESS STEEL (4 REQ'D)
19	CP37553-25-SS	SCREW, 18-8 STAINLESS STEEL (8 REQ'D)

NOTE: REPLACEMENT VALVE (ITEMS 1 OR 1A) INCLUDES MOTOR & ITEMS 2 THRU 11.
MOTOR UNAVAILABLE FOR PURCHASE SEPARATELY.

AB530EC-2-KIT - REPAIR KIT (INCLUDES ITEMS MARKED WITH *).

FOR METRI-PACK CABLE SEE DS98546.
FOR MINI-DIN CABLE SEE DS58480.



DESCRIPTION:
530EC & 530E
2-WAY DIRECTOVALVE®
ELECTRIC SHUT-OFF
PLUNGER VALVE

TeeJet
TECHNOLOGIES

REVISION NO.	3	Parts List No.	PL530EC-2
REFERENCE:	9/13/2018	SHEET:	1 OF 1
		DWG SIZE:	B