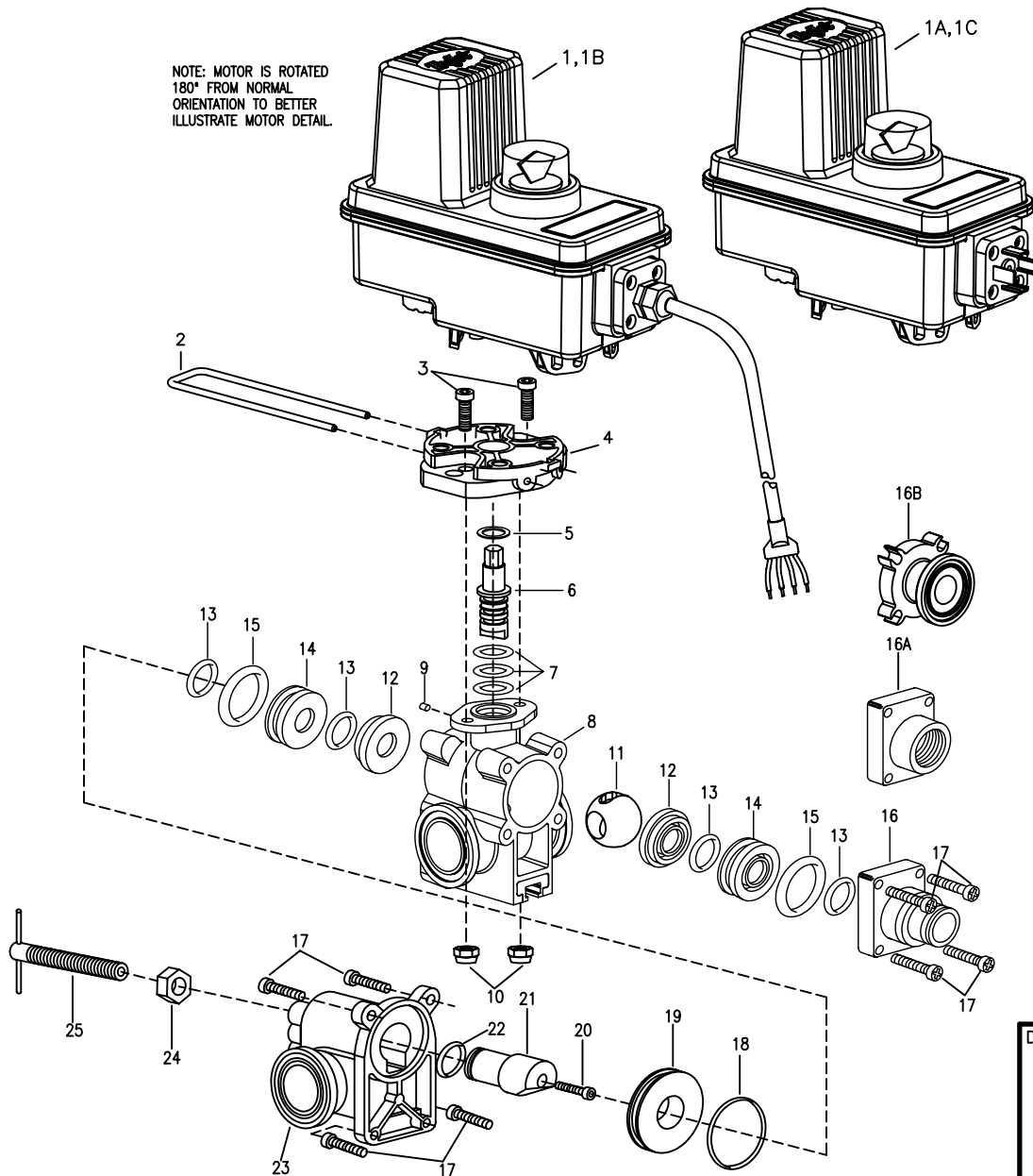


NOTE: MOTOR IS ROTATED 180° FROM NORMAL ORIENTATION TO BETTER ILLUSTRATE MOTOR DETAIL.



ITEM	SALES PART NO.	DESCRIPTION	
1	50515-25CP03	BEC MOTOR, 25-RPM (0.6-SEC), 0.3-METER CABLE, POSITIVELY SWITCHED	
	50515-25CP05	BEC MOTOR, 25-RPM (0.6-SEC), 0.5-METER CABLE, POSITIVELY SWITCHED	
	50515-25CP15	BEC MOTOR, 25-RPM (0.6-SEC), 1.5-METER CABLE, POSITIVELY SWITCHED	
	50515-25CP60	BEC MOTOR, 25-RPM (0.6-SEC), 6.0-METER CABLE, POSITIVELY SWITCHED	
1A	50515-25DP	BEC MOTOR, 25-RPM (0.6-SEC), DIN CONNECTION, POSITIVELY SWITCHED	
1B	50533-25C03	BE MOTOR, 25-RPM (0.6-SEC), 0.3-METER CABLE	
	50533-25C05	BE MOTOR, 25-RPM (0.6-SEC), 0.5-METER CABLE	
	50533-25C15	BE MOTOR, 25-RPM (0.6-SEC), 1.5-METER CABLE	
	50533-25C60	BE MOTOR, 25-RPM (0.6-SEC), 6.0-METER CABLE	
1C	50533-25D	BE MOTOR, 25-RPM (0.6-SEC), DIN CONNECTION	
2	CP50517-SSPV	RETAINING CLIP, 304 STAINLESS STEEL	
3	CP26197-7/8-SS	SOCKET HEAD CAP SCREW, STAINLESS STEEL (2 REQ'D)	
4	CP50514-PP	MOTOR ADAPTER, POLYPROPYLENE (BLACK)	
*	5	CP20125-TEF	THRUST WASHER, TEFLON
6	CP56614-SS	STEM, 303 STAINLESS STEEL	
*	7	CP7717-M12X2.5-VI	O-RING, VITON (3 REQ'D)
8	CP45503-NYB	BODY, NYLON (INCLUDES MOUNTING RAIL)	
*	9	CP20126-FELT	DUST PLUG, FELT
10	CP38435-1/4-SSNY	ELASTIC LOCKNUT, STAINLESS STEEL (2 REQ'D)	
11	CP45510-1-SS	BALL, 303 STAINLESS STEEL	
*	12	CP20103-TEF	SEAL, TEFLON (2 REQ'D)
*	13	CP7717-2-213-VI	O-RING, VITON (4 REQ'D)
14	CP45502-NYB	BALL SEAL SPACER, NYLON (BLACK) (2 REQ'D)	
*	15	CP7717-2-322-VI	O-RING, VITON (2 REQ'D)
16	CP45514-NYB	ENDCAP, NYLON (BLACK) (QUICK CONNECT)	
16A	CP20104-3/4-NYB	ENDCAP, NYLON (BLACK) (3/4" NPT THREAD)	
	CPB20104-3/4-NYB	ENDCAP, NYLON (BLACK) (3/4" BSPT THREAD)	
	CP20104-1-NYB	ENDCAP, NYLON (BLACK) (1" NPT THREAD)	
	CPB20104-1-NYB	ENDCAP, NYLON (BLACK) (1" BSPT THREAD)	
16B	CP45253-NYB	ENDCAP, NYLON (BLACK) (50-SERIES FLANGED)	
17	CP45517-1-1/8-SS	PAN HEAD SCREW, STAINLESS STEEL (8 REQ'D)	
18	CP7717-2-129-VI	O-RING, VITON	
19	CP46023-NYB	ORIFICE DISK, NYLON (BLACK)	
20	CP45937-1-1/4-SS	SOCKET HEAD CAP SCREW, STAINLESS STEEL	
21	CP45938-CE	PLUNGER, CELCON	
22	CP7717-2-14-VI	O-RING, VITON	
23	CP45446-NYB	3-WAY HOUSING, NYLON (BLACK)	
24	CP5898	HEX NUT, BRASS	
25	CP12696-ALSS	ADJUSTING STEM, STAINLESS STEEL & ALUMINUM	

AB460B-KIT, SPARE PARTS KIT (INCLUDES ALL ITEMS MAKRED WITH \*)

NOTE: (B) IN PART NUMBER INDICATES B.S.P.T INLET AND OUTLET CONNECTIONS

\* NOTE: FOR NEGATIVELY SWITCHED MOTORS SPECIFY "N" RATHER THAN "P" IN MOTOR PART NUMBER. EXAMPLE: 50515-25CN05

DESCRIPTION:

460BEC-3E 3-WAY DIRECTVALVE®  
ELECTRIC SHUT-OFF BALL VALVE MANIFOLD WITH SINGLE ADJUSTABLE BYPASS



**Spraying Systems Co.®**

Spray Nozzles and Accessories  
P.O. Box 7900 - Wheaton, IL 60189-7900

Rev. No. 1

Ref.

PARTS LIST

**PL460BEC-3E**

SHEET OF