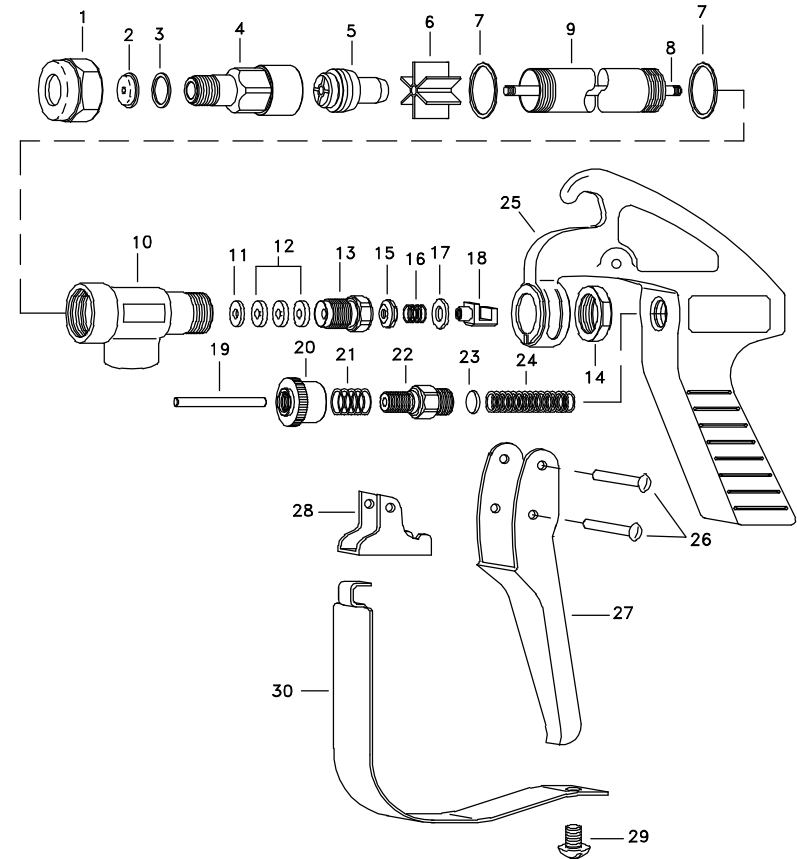


ITEM	PART NO.		DESCRIPTION	
	BRASS	ALUMINUM		
1	CP1325	CP1325-AL	Cap, Brass or Aluminum	
2	D-**	D-**	Orifice Disc, Hardened Stainless Steel	
*	3	CP4743-NY	CP4743-NY	Gasket, Nylon
*	4	CP10566	CP10566-AL	Nozzle Housing, Brass or Aluminum
5	10565	10565-AL	Seat Plug, Seat Plate, Washer & Core Sub-Assembly Brass Or Aluminum	
6	CP10571	CP10571-AL	Guide Vane, Brass or Aluminum	
7	CP6943-AL	CP6943-AL	Gasket, Aluminum (2 Req'd)	
8	CP19239-416SS	CP19239-416SS	Stem, Type 416 Stainless Steel	
9	CP6871	CP6871-AL	Tubing, Brass or Aluminum	
10	CP6492	CP6492-AL	Inlet Body, Brass or Aluminum	
*	11	CP6601-302SS	CP6601-302SS	Packing Washer, Type 302 Stainless Steel
*	12	CP6602-LEA	CP6602-LEA	Packing, Leather (3 Req'd), Standard
		CP6602-TEF	CP6602-TEF	Packing, Teflon (3 Req'd), Optional
13	CP19237	CP19237-AL	Packing Screw, Brass or Aluminum	
14	CP6599	CP6599-I-ZP	Locknut, Brass or Steel, Zinc Plated	
15	CP9641-INP	CP9641-INP	Stem Nut, Steel, Nickel Plated	
16	CP6595-SS	CP6595-SS	Trigger Stop Spring, Stainless Steel	
17	CP7991-SS	CP7991-SS	Washer, Stainless Steel	
18	CP6597-INP	CP6597-INP	Trigger Guide, Steel, Nickel Plated	
19	CP6591-SS	CP6591-SS	Spring Stud, Stainless Steel	
20	CP6589-I-ZP	CP6589-I-ZP	Stop Adjustment Nut, Steel, Zinc Plated	
21	CP6594-SS	CP6594-SS	Spring for Stop Adjustment Nut, Stainless Steel	
22	CP6588-I-ZP	CP6588-I-ZP	Spring Screw, Steel, Zinc Plated	
23	CP6592-302SS	CP6592-302SS	Spring Guide Washer, Type 302 Stainless Steel	
24	CP6593-1-SS	CP6593-1-SS	Main Spring, Stainless Steel (for Model #43LA-)	
	CP6593-2-SS	CP6593-2-SS	Main Spring, Stainless Steel (for Model #43HA-)	
25	CP14477-1-AL	CP14477-1-AL	Handle Body, Aluminum	
26	CP7623-I-ZP	CP7623-I-ZP	Rivet, Steel, Zinc Plated (2 Req'd)	
27	CP6509-INP	CP6509-INP	Trigger, Steel, Nickel Plated	
28	CP6510-INP	CP6510-INP	Trigger Stop, Steel, Nickel Plated	
29	CP11757-SS	CP11757-SS	Screw, Stainless Steel	
30	CP13798-INP	CP13798-INP	Trigger Guard, Steel, Nickel Plated	

GunJet® No. AA43LA - Brass, Complete, For Pressures up to 200 PSI
 GunJet® No. AA43LA-AL - Aluminum, Complete, For Pressures up to 200 PSI
 GunJet No. AA43HA - Brass, Complete, For Pressures from 200 to 800 PSI
 GunJet No. AA43HA-AL - Aluminum, Complete, For Pressures from 200 to 800 PSI
 AB43A-KIT Spare parts Kit (Includes all items marked with *)
 AB43A-AL-KIT Spare parts Kit (Includes all items marked with *)
 ABCK43A-KIT Conversion Kit for Adjustable Stem - Items 8, 13 & 15 (for Model #43A--)
 ABCK43A-AL-KIT Conversion Kit for Adjustable Stem - Items 8, 13 & 15 (for Model #43A-AL--)

** Specify Orifice Disc Size



DESCRIPTION:
 No. 43LA & 43HA
 GUNJET SPRAY GUNS
 (4" EXTENSION)
 (SPECIAL)



Spraying Systems Co.®
 Spray Nozzles and Accessories
 P.O. Box 7900 - Wheaton, IL 60189-7900

Rev. No.

Ref.

Parts List No.
 PL 43A (SPECIAL)
 SHEET OF